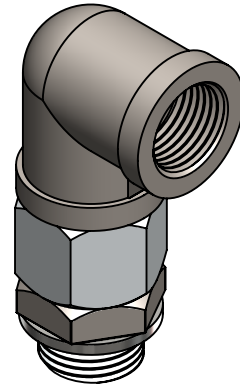
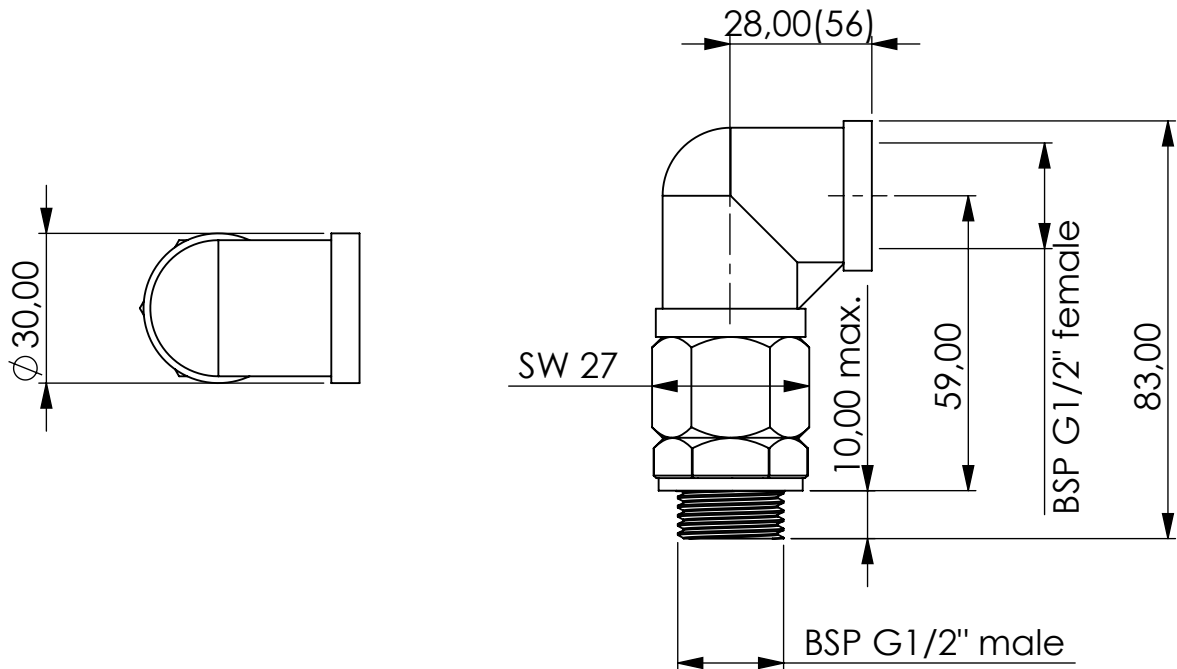


Mounting Adapter



Suitable for Adsorber series:
1



Product Code	MOA	-	W	-	AL	-	N	-	G12f	-	G12m
	Mount Adapter		For horizontal adsorber installation		Material aluminium		NBR seals		Connection for Adsorber BSP G1/2" female		Connection for system BSP G1/2" male

Total weight (kg): 0.22

NAME:

Mounting Adapter
MOA-W_AL_N_G12f_G12m

Article no.:
03.0001.01

Status approved

Format A4

Ratio 1:1.5

Sheet / of 1 / 1



GIEBEL Adsorber®
...setting standards in aeration drying!

GIEBEL FilTec GmbH
www.giebel-adsorber.de
info@giebel-adsorber.de