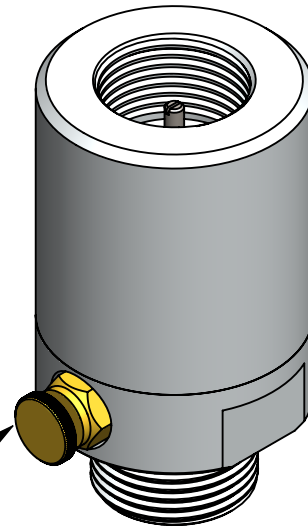
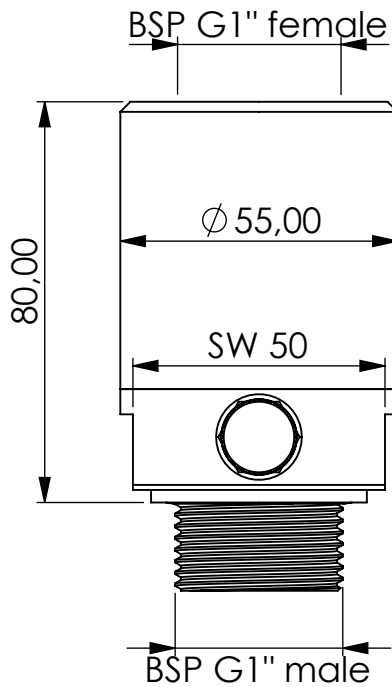


# VALVE ADAPTER 0,5bar



pressure release valve



## Opening directions

Opening pressure (0,5bar)  
(for tanks under pressure)

pressureless (0,01bar)  
(for aeration drying)

Product Code	VAD	05	AL	F	G1f	G1m
	Valve Adapter	Opening pressure 0,5bar OUT (0,01bar IN)	Aluminium material	FKM seals	Connection for Adsorber BSP G1" female	Connection for System BSP G1" male

Weight / Gewicht (kg): 0.38

NAME:

**Valve Adapter**

VAD\_05\_AL\_F\_G1f\_G1m

Article no.:

**03.0003.02**

Status  
freigabe

Maßstab

Format  
A4

Blatt / von

1:1.5

1 / 1



**GIEBEL Adsorber®**  
...setting standards in aeration drying!

GIEBEL FilTec GmbH  
www.giebel-adsorber.de  
info@giebel-adsorber.de