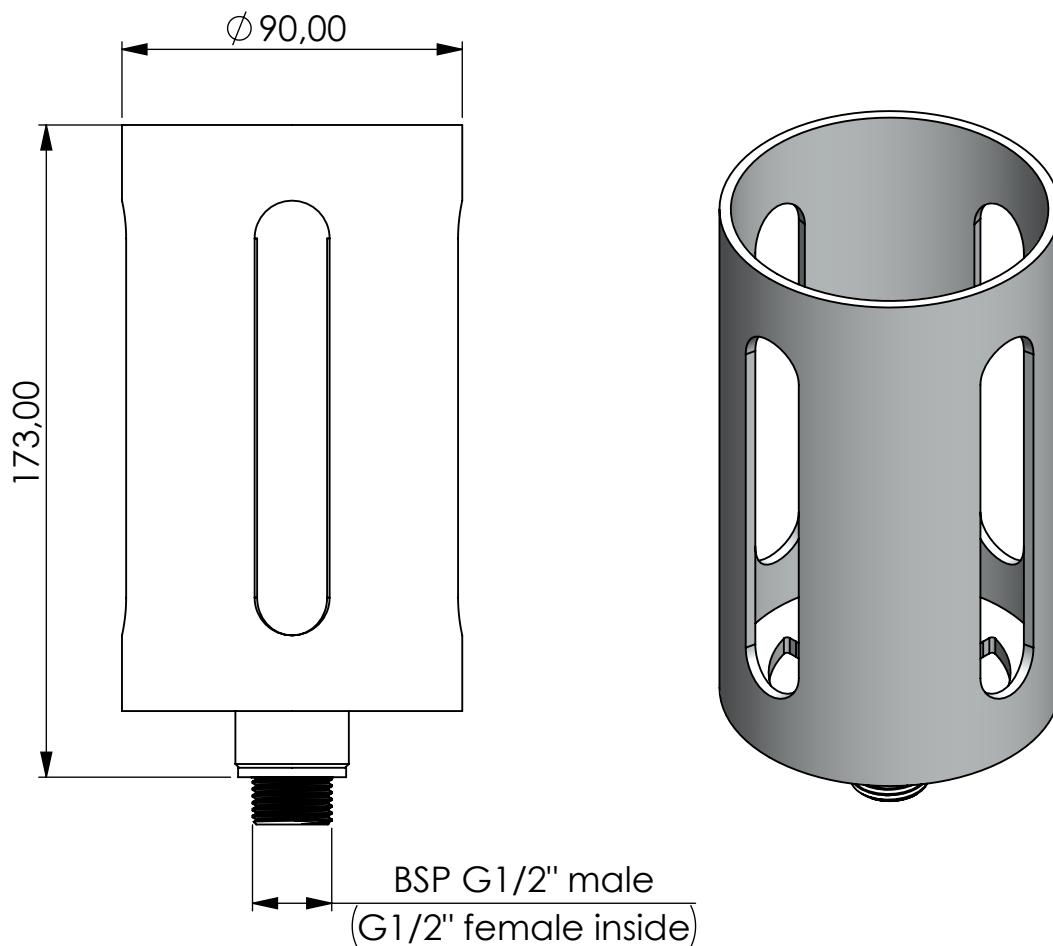


# Adsorber Protection Hood



Product Code	<b>APH</b>	-	<b>1</b>	-	<b>AL</b>	-	<b>F</b>	-	<b>G12m</b>
	Adsorber Protection Hood		Size for Adsorber Series		Material aluminum		FKM seals		Connection for System BSP G1/2" male

Total weight (kg): 0.36

NAME:

**Adsorber Protection Hood**

APH\_1\_AL\_F\_G12m

Article no.:

**03.0070.01**

Status approved

Format A4

Ratio 1:2

Sheet / of 1 / 1



**GIEBEL Adsorber®**  
...setting standards in aeration drying!

GIEBEL FilTec GmbH  
www.giebel-adsorber.com  
info@gf-dry.com