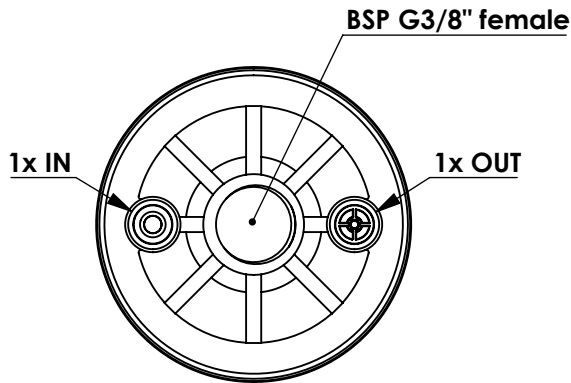
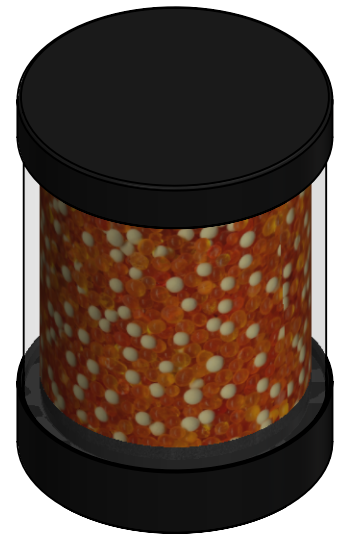
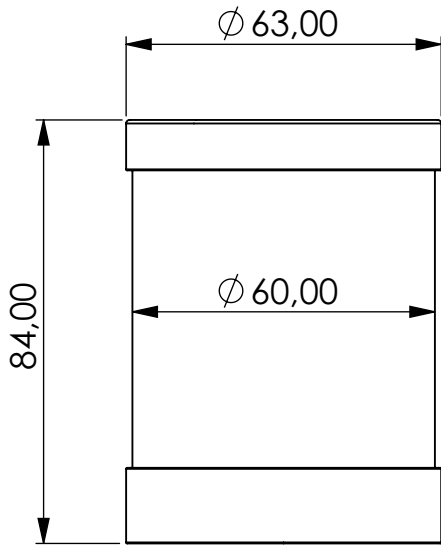


# Adsorber VV-DV series



Product Code	<b>VV</b>	-	<b>DV</b>	-	<b>1M</b>	-	<b>F</b>	-	<b>11</b>	-	<b>V2</b>	-	<b>XC</b>	-	<b>G38f</b>
	Adsorber type		Disposable cartridge + valves		Size		FKM seals		Check valves 1 IN 1 OUT		Filter fleece 2 micron		Adsorbent GIEBEL Xdry® & carbon		Connection for System BSP G3/8" female

Housing materials:	PA6, PC
GIEBEL Xdry® (kg):	0,08
Color-change capacity (ml):	28
Total weight (kg):	0.17

NAME:	
<b>Adsorber VV-DV 1M G3/8"f</b>	
<b>VV-DV_1M_F_11_V2_XC_G38f</b>	
Article no.:	Status
<b>05.0010.01</b>	freigabe
	Format
	A4
	Maßstab
	Blatt / von
	1:1.5
	1 / 1

	Date	Name
rev.	06.04.2023	Daniel Zinic
 <b>GIEBEL Adsorber®</b> ...setting standards in aeration drying!		
GIEBEL FilTec GmbH <a href="http://www.giebel-adsorber.de">www.giebel-adsorber.de</a> <a href="mailto:info@giebel-adsorber.de">info@giebel-adsorber.de</a>		