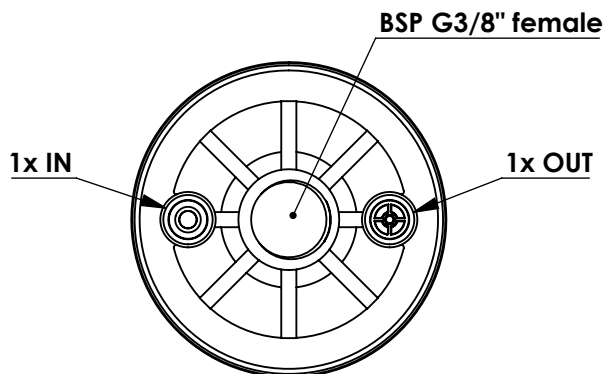
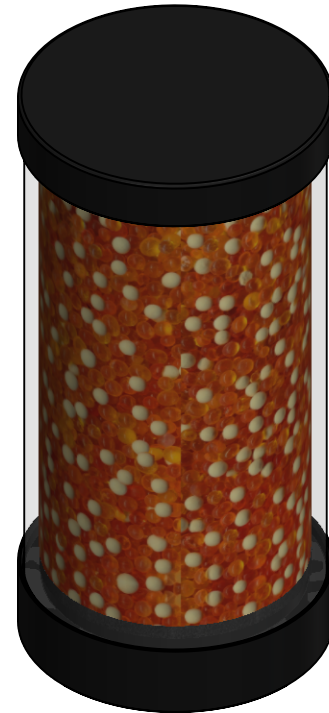
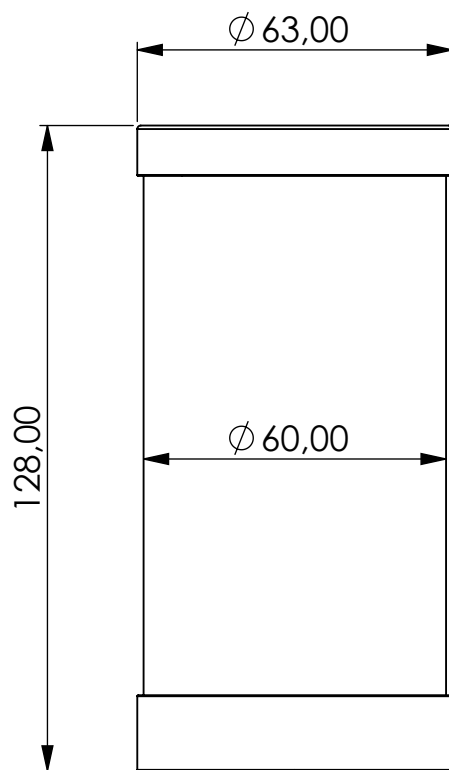


Adsorber VV-DV series



Product Code	VV	-	DV	-	1L	-	F	-	11	-	V2	-	XC	-	G38f
	Adsorber type		Disposable cartridge + valves		Size		FKM seals		Check valves 1 IN 1 OUT		Filter fleece 2 micron		Adsorbent GIEBEL Xdry® & carbon		Connection for System BSP G3/8" female

Housing materials:	PA6, PC	
Silica Gel (kg):	0,15	Color-change capacity (ml): 53
Total weight (kg):	0.27	

NAME:		
Adsorber VV-DV 1L G3/8"f		
VV-DV_1L_F_11_V2_XC_G38f		
Article no.:	Status freigabe	Format A4
05.0010.05	Maßstab	Blatt / von
	1:1.5	1 / 1

 GIEBEL Adsorber® <small>...setting standards in aeration drying!</small>	rev.	Date	Name
		10.04.2023	Daniel Zinic
GIEBEL FilTec GmbH www.giebel-adsorber.de info@giebel-adsorber.de			