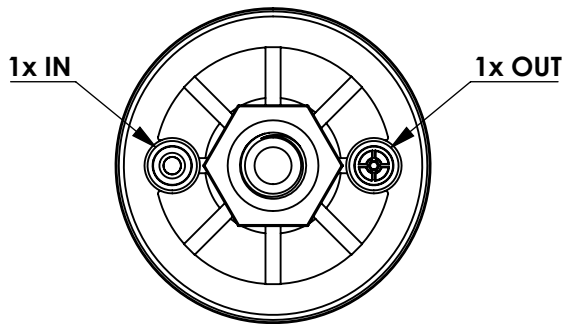
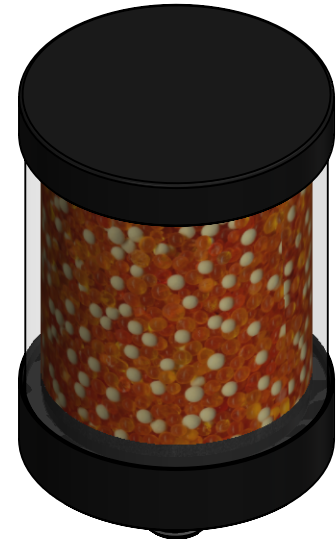
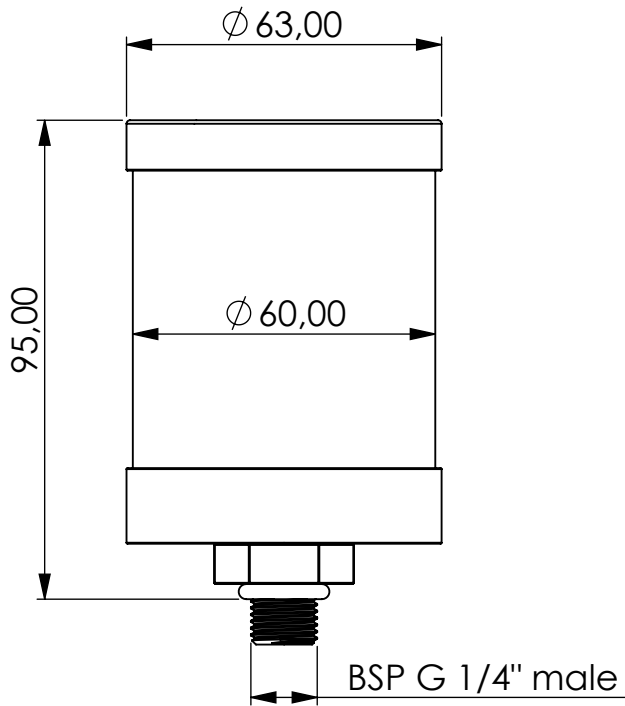


# Adsorber VV-DV series



|              |               |   |                               |   |           |   |           |   |                         |   |                        |   |                                 |   |                                      |
|--------------|---------------|---|-------------------------------|---|-----------|---|-----------|---|-------------------------|---|------------------------|---|---------------------------------|---|--------------------------------------|
| Product Code | <b>VV</b>     | - | <b>DV</b>                     | - | <b>1M</b> | - | <b>F</b>  | - | <b>11</b>               | - | <b>V2</b>              | - | <b>XC</b>                       | - | <b>G14m</b>                          |
|              | Adsorber type |   | Disposable cartridge + valves |   | Size      |   | FKM seals |   | Check valves 1 IN 1 OUT |   | Filter fleece 2 micron |   | Adsorbent GIEBEL Xdry® & carbon |   | Connection for System BSP G1/4" male |

|                                 |                                |
|---------------------------------|--------------------------------|
| Housing materials: PA6, PC, PVC |                                |
| GIEBEL Xdry® (kg): 0,08         | Color-change capacity (ml): 28 |
| Total weight (kg): 0.18         |                                |
| NAME:                           |                                |
| <b>Adsorber VV-DV 1M G1/4"m</b> |                                |
| VV-DV_1M_F_11_V2_XC_G14m        |                                |
| Article no.:                    | Status                         |
| <b>05.0010.23</b>               | freigabe                       |
|                                 | Format                         |
|                                 | A4                             |
|                                 | Maßstab                        |
|                                 | Blatt / von                    |
|                                 | 1:1.5                          |
|                                 | 1 / 1                          |

|   |                 |              |
|---|-----------------|--------------|
|  <b>GIEBEL Adsorber®</b><br>...setting standards in aeration drying! | Date            | Name         |
|   | rev. 12.04.2023 | Daniel Zinic |
| GIEBEL FilTec GmbH<br>www.giebel-adsorber.de<br>info@giebel-adsorber.de   |                 |              |