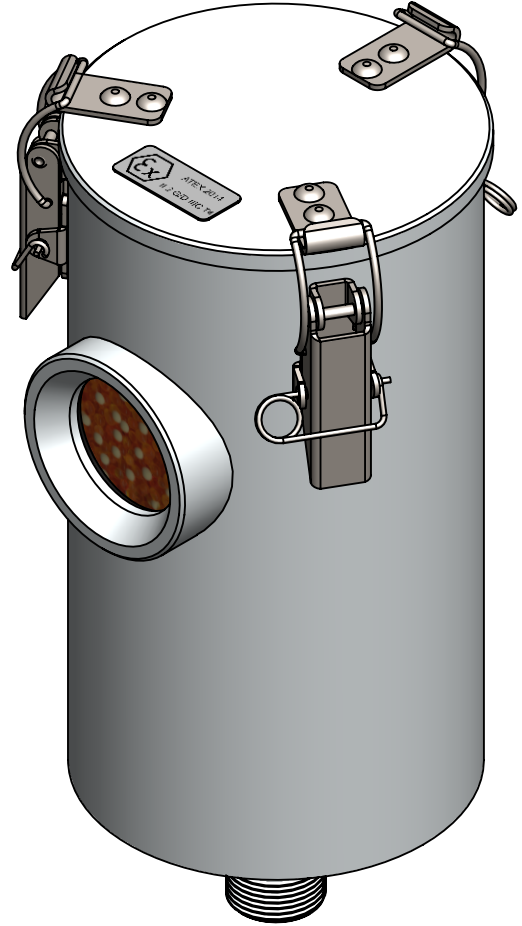
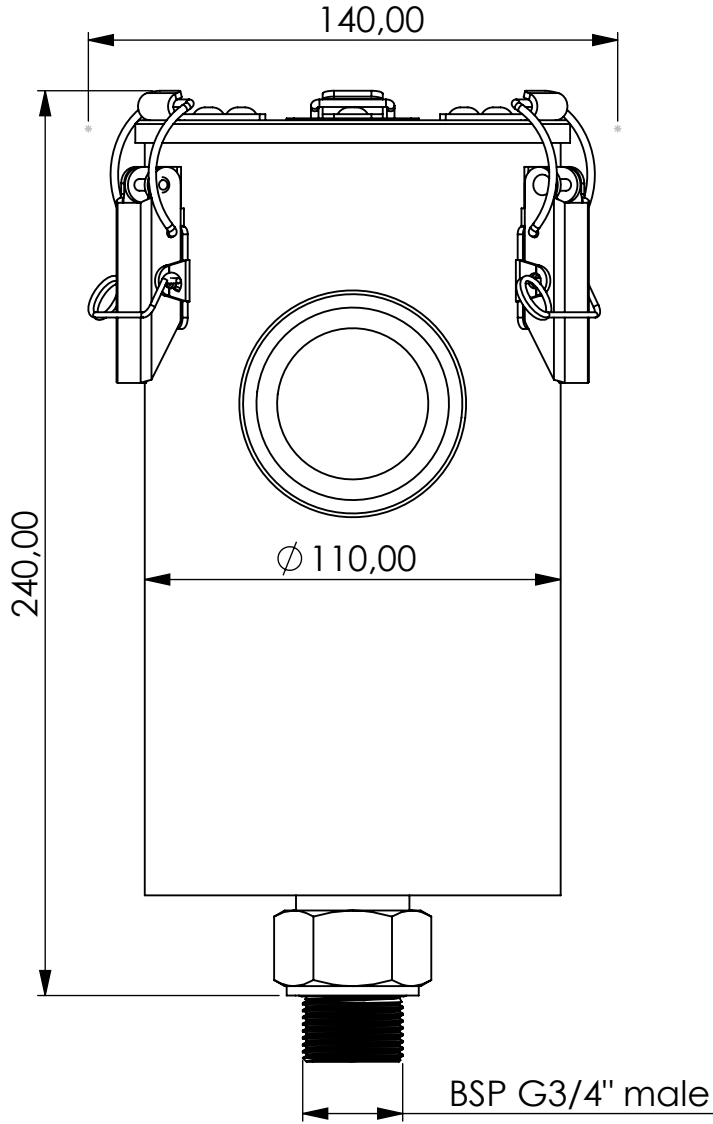


Adsorber MA-R series



Product Code	MA	-	R	-	3M	-	F	-	00	-	P3	-	XC	-	G34m
	Adsorber type		Refillable cartridge		Size		FKM seals		No valves		Paper filter 3 micron		Adsorbent GIEBEL Xdry® & carbon		Connection for System BSP G3/4" male

Housing materials:	Aluminium	
GIEBEL Xdry® (kg):	0,85	Color-change capacity (ml): 298
Total weight (kg):	2.11	

NAME:		
Adsorber MA-R 3M G3/4"m		
MA-R_3M_F_00_P3_XC_G34m		
Article no.:	Status freigabe	Format A4
05.0030.65	Maßstab	Blatt / von
	1:2	1 / 1

	Date	Name
rev.	22.05.2024	Daniel Zinic
GIEBEL FilTec GmbH		
www.giebel-adsorber.com		
info@gf-dry.com		

