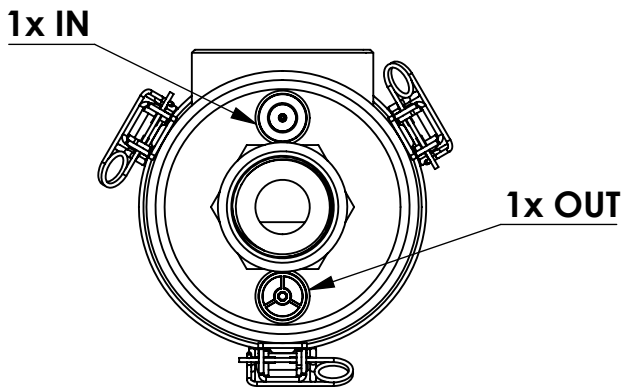
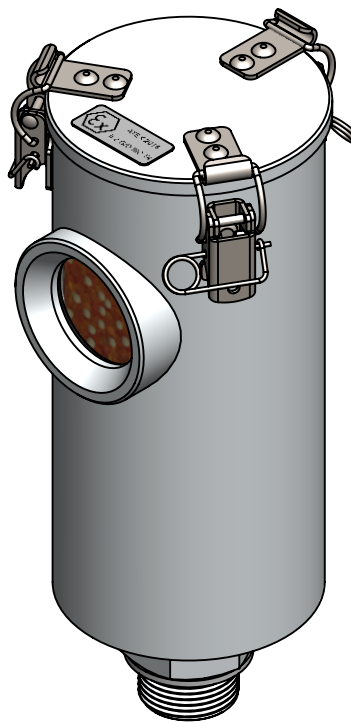
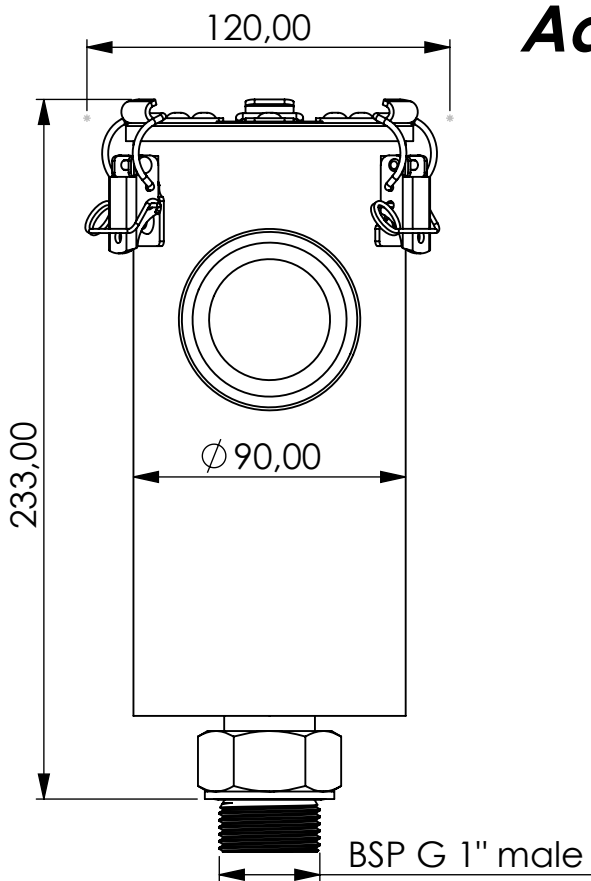


Adsorber MA-RV series



Product Code	MA	-	RV	-	2L	-	F	-	11	-	P3	-	XC	-	G1m
	Adsorber type		Refillable cartridge + valves		Size		FKM seals		Check valves 1 IN 1 OUT		Paper filter 3 micron		Adsorbent GIEBEL Xdry® & carbon		Connection for System BSP G1" male

Housing materials:	Aluminium		
GIEBEL Xdry® (kg):	0.55	Color-change capacity (ml):	193
Total weight (kg):	1.73		

NAME:		
Adsorber MA-RV 2L G1"m		
MA-RV_2L_F_11_P3_XC_G1m		
Article no.:	Status	Format
05.0030.90	freigabe	A4
	Maßstab	Blatt / von
	1:2.5	1 / 1

	Date	Name
rev.	23.05.2024	Daniel Zinic
GIEBEL FilTec GmbH		
www.giebel-adsorber.com		
info@gf-dry.com		



GIEBEL Adsorber®
...setting standards in aeration drying!