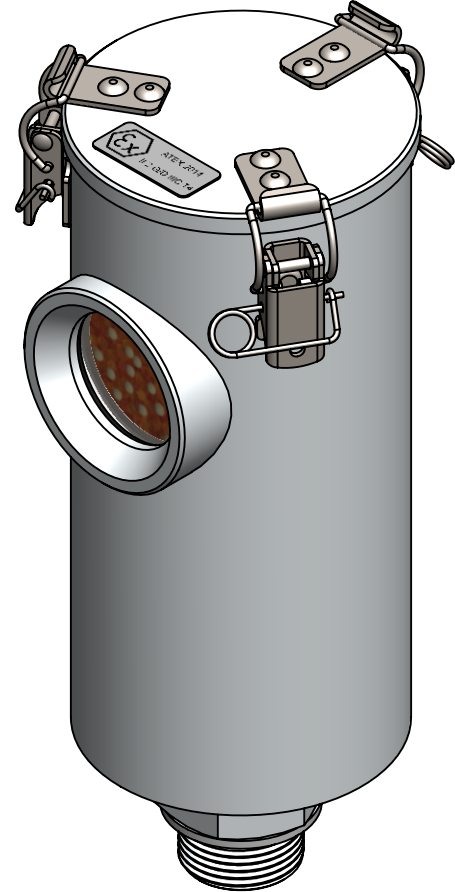
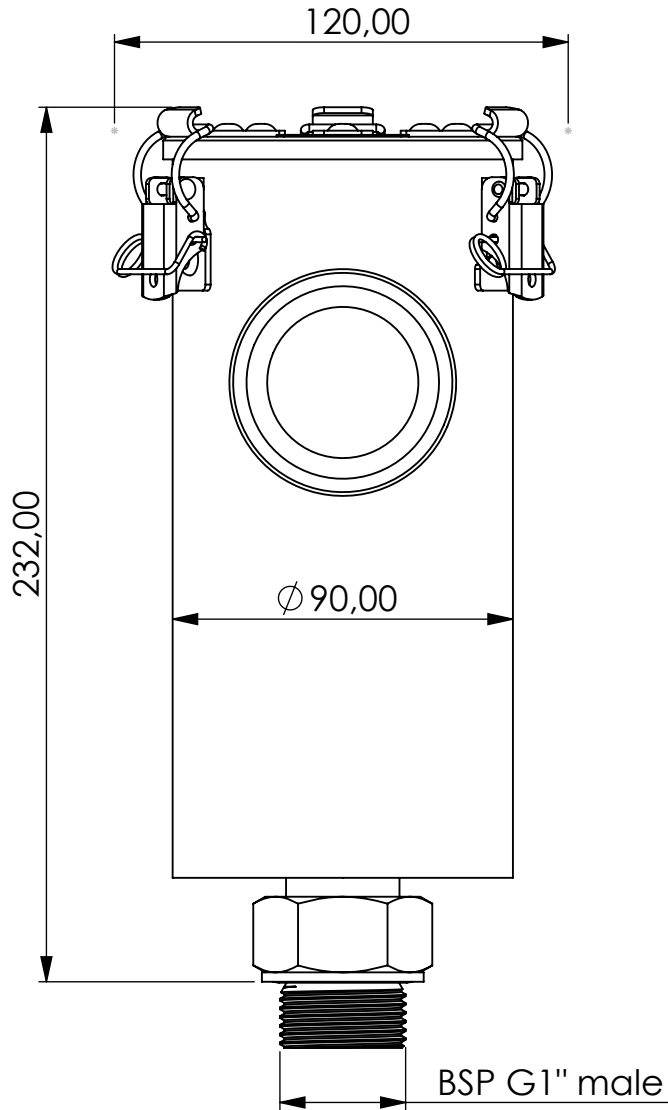


Adsorber MA-R series



Product Code	MA	-	R	-	2L	-	F	-	00	-	P3	-	XC	-	G1m
	Adsorber type		Refillable cartridge		Size		FKM seals		No valves		Paper filter 3 micron		Adsorbent GIEBEL Xdry® & carbon		Connection for System BSP G1" male

Housing materials: Aluminium	
GIEBEL Xdry® (kg): 0,55	Color-change capacity (ml): 193
Total weight (kg): 1,7	
NAME:	
Adsorber MA-RV 2L G1"m	
MA-RV_2L_F_00_P3_XC_G1m	
Article no.:	Status
05.0030.99	freigabe
	Format
	A4
	Blatt / von
	1 / 1

	Date	Name
rev.	22.05.2024	Daniel Zinic
GIEBEL FilTec GmbH		
www.giebel-adsorber.com		
info@gf-dry.com		

