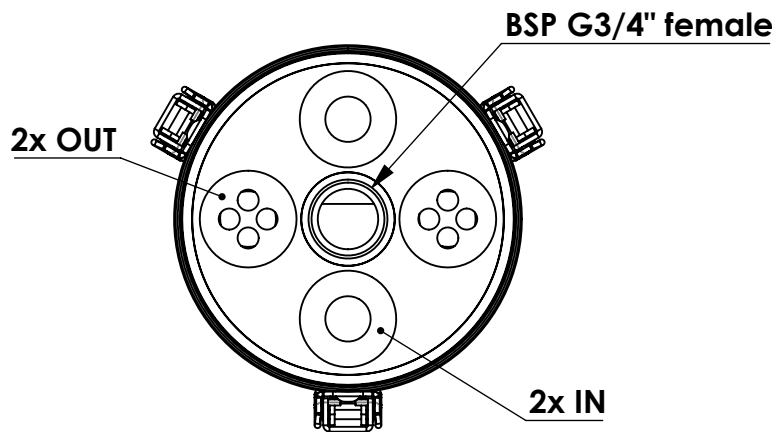
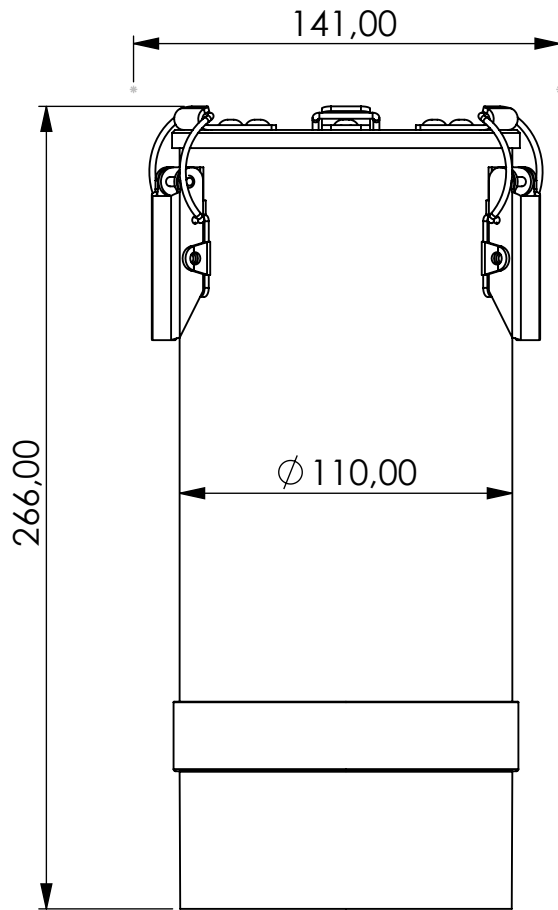


# Adsorber VV-RV series



|              |               |   |                               |   |           |   |           |   |                               |   |                          |   |                                       |   |   |
|--------------|---------------|---|-------------------------------|---|-----------|---|-----------|---|-------------------------------|---|--------------------------|---|---------------------------------------|---|---|
| Product Code | <b>VV</b>     | - | <b>RV</b>                     | - | <b>3M</b> | - | <b>F</b>  | - | <b>22</b>                     | - | <b>P3</b>                | - | <b>XC</b>                             | - | <b>G34f</b>                                     |
|              | Adsorber type |   | Refillable cartridge + valves |   | Size      |   | FKM seals |   | Check valves<br>2 IN<br>2 OUT |   | Paper filter<br>3 micron |   | Adsorbent<br>GIEBEL Xdry®<br>& carbon |   | Connection<br>for System<br>BSP G3/4"<br>female |

|                                 |                                 |
|---------------------------------|---------------------------------|
| Housing materials: PA6, PC      |                                 |
| GIEBEL Xdry® (kg): 0,75         | Color-change capacity (ml): 263 |
| Total weight (kg): 1.83         |                                 |
| NAME:                           |                                 |
| <b>Adsorber VV-RV 3M G3/4"f</b> |                                 |
| VV-RV_3M_F_22_P3_XC_G34f        |                                 |
| Article no.:                    | Status                          |
| <b>05.0031.18</b>               | freigabe                        |
|                                 | Format                          |
|                                 | A4                              |
|                                 | Maßstab                         |
|                                 | Blatt / von                     |
|                                 | 1:2.5                           |
|                                 | 1 / 1                           |

|  |      |            |              |
|--|------|------------|--------------|
|  <b>GIEBEL Adsorber®</b><br>...setting standards in aeration drying!          | rev. | Date       | Name         |
|  |      | 18.04.2023 | Daniel Zinic |
| GIEBEL FilTec GmbH<br><a href="http://www.giebel-adsorber.de">www.giebel-adsorber.de</a><br><a href="mailto:info@giebel-adsorber.de">info@giebel-adsorber.de</a> |      |            |              |