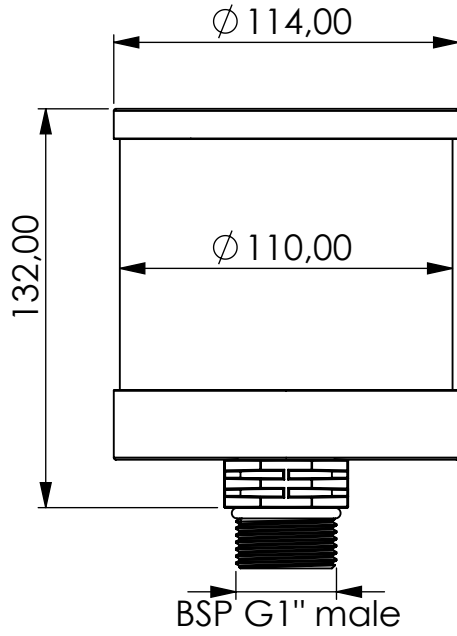


Adsorber VV-D series



Product Code	VV	-	D	-	3S	-	F	-	00	-	P3	-	XC	-	G1m
	Adsorber type		Disposable cartridge		Size		FKM seals		No valves 0 IN 0 OUT		Paper filter 3 micron		Adsorbent GIEBEL Xdry® & carbon		Connection for System BSP G1" male

Housing materials:	PA6, PC	
GIEBEL Xdry® (kg):	0,5	Color-change capacity (ml): 175
Total weight (kg):	0.78	

NAME:		
Adsorber VV-D 3S G1"m		
VV-D_3S_F_00_P3_XC_G1m		
Article no.:	Status freigabe	Format A4
05.0031.36	Maßstab 1:2.5	Blatt / von 1 / 1

	Date	Name
rev.	20.08.2024	Daniel Zinic
GIEBEL FilTec GmbH		
www.giebel-adsorber.com		
info@gf-dry.com		

