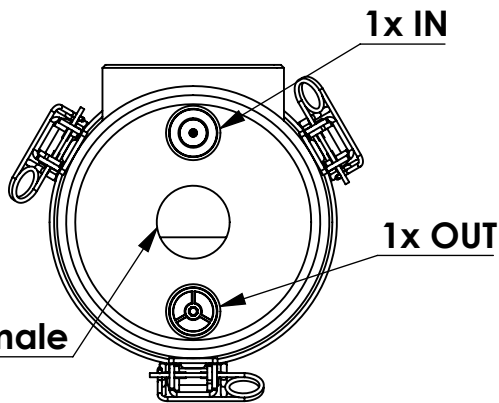
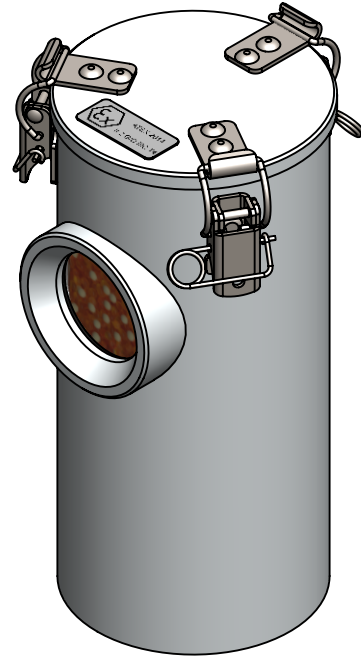
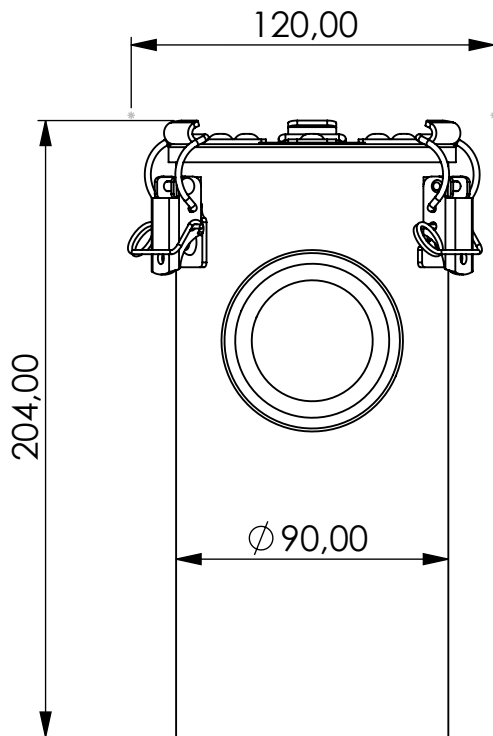


Adsorber MA-RV series



Product Code	MA	-	RV	-	2L	-	F	-	11	-	P3	-	XC	-	G34f
	Adsorber type		Refillable cartridge + valves		Size		FKM seals		Check valves 1 IN 1 OUT		Paper filter 3 micron		Adsorbent GIEBEL Xdry® & carbon		Connection for System BSP G3/4" female

Housing materials: Aluminium	
GIEBEL Xdry® (kg): 0,55	Color-change capacity (ml): 193
Total weight (kg): 1.60	
NAME:	
Adsorber MA-RV 2L G34"f	
MA-RV_2L_F_11_P3_XC_G34f	
Article no.:	Status
05.0040.01	freigabe
	Format
	A4
	Blatt / von
	1 / 1

	Date	Name
rev.	22.05.2024	Daniel Zinic
GIEBEL FilTec GmbH		
www.giebel-adsorber.com		
info@gf-dry.com		

