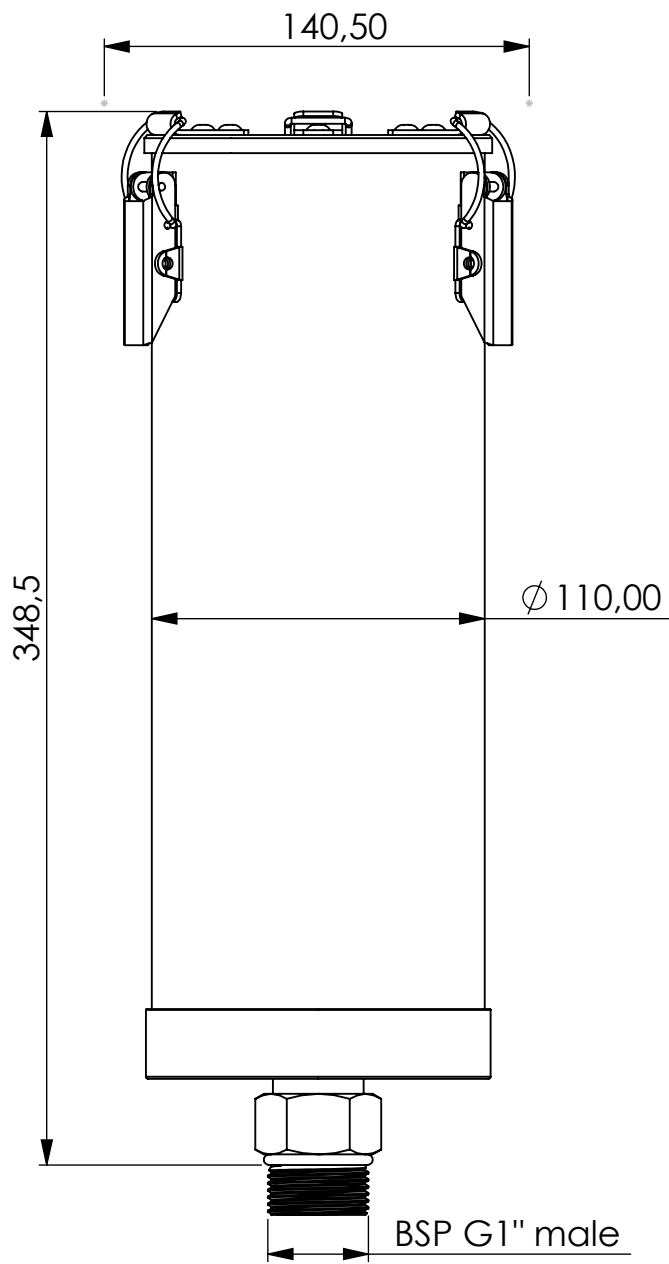


# Adsorber VG-R series



Product Code	<b>VG</b>	-	<b>R</b>	-	<b>3L</b>	-	<b>F</b>	-	<b>00</b>	-	<b>P3</b>	-	<b>A</b>	-	<b>G1a</b>
	Adsorber type		Refillable cartridge		Size		FKM seals		No valves 0 IN 0 OUT		Paper filter 3 micron		Adsorbent active carbon		Connection for System BSP G1" male

Housing materials: PA6, PC, AL

Active carbon (kg): 0,9

Total weight (kg): 2.08

NAME:

**Adsorber VG-R 3L G1"m**  
VG-R\_3L\_F\_00\_P3\_A\_G1a

Article no.:  
**05.0040.30**

Status  
approved

Format  
A4

Ratio  
1:2.5

Sheet / of  
1 / 1



**GIEBEL Adsorber®**  
...setting standards in aeration drying!

GIEBEL FilTec GmbH  
www.giebel-adsorber.de  
info@giebel-adsorber.de