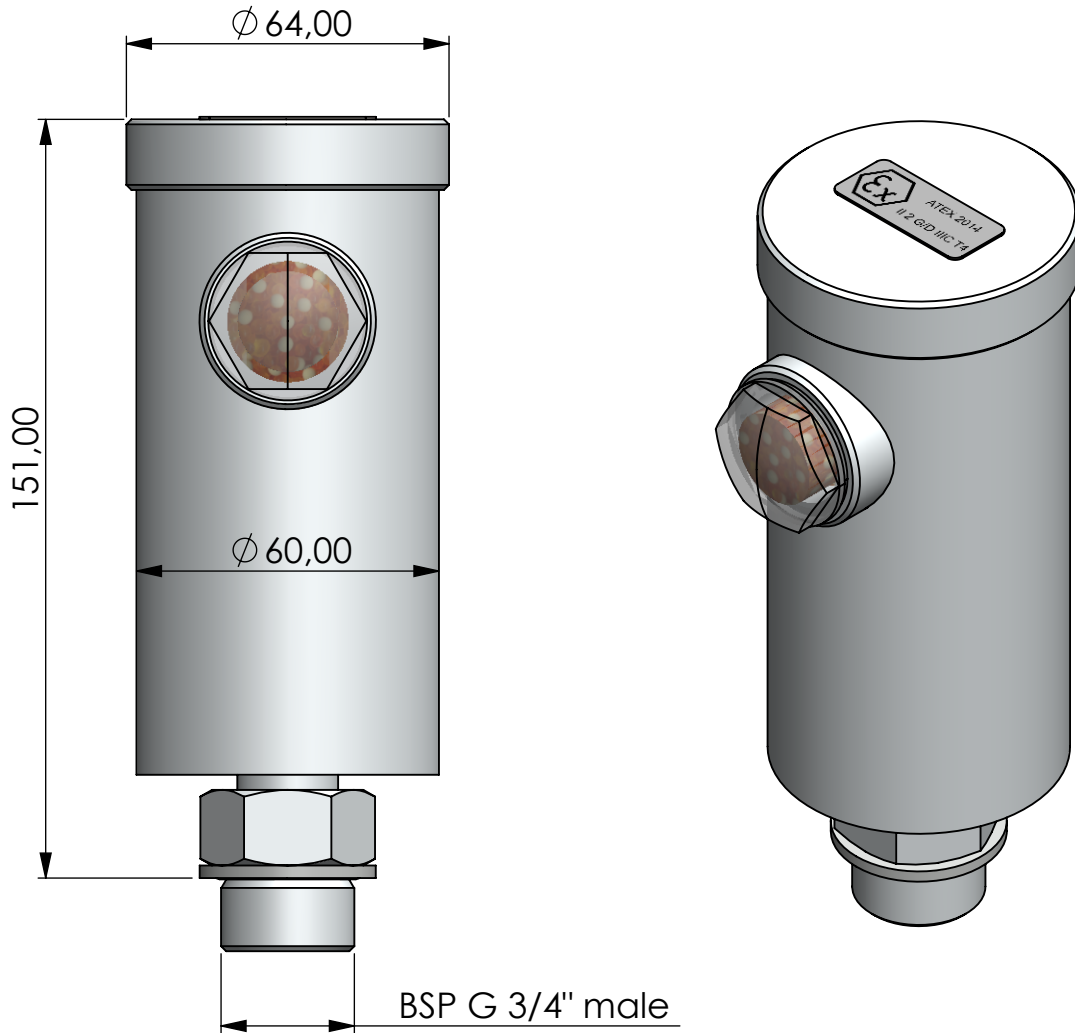


# Adsorber MA-R series



Product Code	<b>MA</b>	-	<b>R</b>	-	<b>1L</b>	-	<b>F</b>	-	<b>00</b>	-	<b>V2</b>	-	<b>XC</b>	-	<b>G34m</b>
	Adsorber type		Refillable cartridge		Size		FKM seals		No valves		Filter fleece 2 micron		Adsorbent GIEBEL Xdry® & carbon		Connection for System BSP G3/4" male

Housing materials:	Aluminium	
GIEBEL Xdry® (kg):	0.17	Color-change capacity (ml): 60
Total weight (kg):	0.56	

NAME:		
<b>Adsorber MA-R 1L G3/4"m</b>		
<b>MA-R_1L_F_00_V2_XC_G34m</b>		
Article no.:	Status	Format
<b>05.0040.40</b>	freigabe	A4
	Maßstab	Blatt / von
	1:1.5	1 / 1

	Date	Name
rev.	22.05.2024	Daniel Zinic
 <b>GIEBEL Adsorber®</b> ...setting standards in aeration drying!		
GIEBEL FilTec GmbH <a href="http://www.giebel-adsorber.com">www.giebel-adsorber.com</a> <a href="mailto:info@gf-dry.com">info@gf-dry.com</a>		