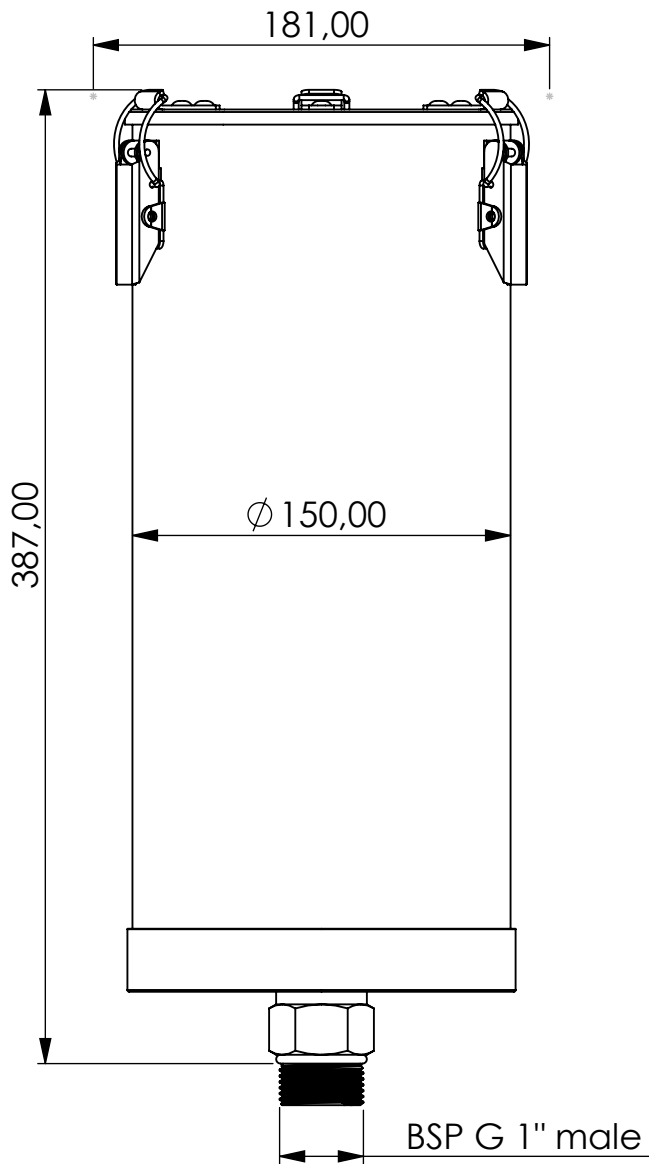


# Adsorber VV-R series



Product Code	<b>VV</b>	-	<b>R</b>	-	<b>5L</b>	-	<b>F</b>	-	<b>00</b>	-	<b>P3</b>	-	<b>XC</b>	-	<b>G1m</b>
	Adsorber type		Refillable cartridge		Size		FKM seals		No valves 0 IN 0 OUT		Paper filter 3 micron		Adsorbent GIEBEL Xdry® & carbon		Connection for System BSP G1" male

Housing materials:	PA6, PC, AL	
GIEBEL Xdry® (kg):	3,15	Color-change capacity (ml): 1103
Total weight (kg):	5.04	

NAME:		
<b>Adsorber VV-R 5L G1"m</b>		
<b>VV-R_5L_F_00_P3_XC_G1m</b>		
Article no.:	Status freigabe	Format A4
<b>05.0060.33</b>	Maßstab 1:3	Blatt / von 1 / 1

	Date	Name
rev.	18.04.2023	Daniel Zinic
 <b>GIEBEL Adsorber®</b> ...setting standards in aeration drying!		
GIEBEL FilTec GmbH <a href="http://www.giebel-adsorber.de">www.giebel-adsorber.de</a> <a href="mailto:info@giebel-adsorber.de">info@giebel-adsorber.de</a>		