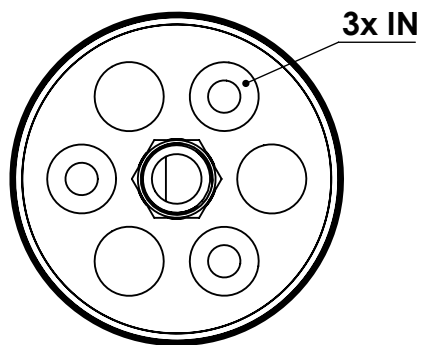
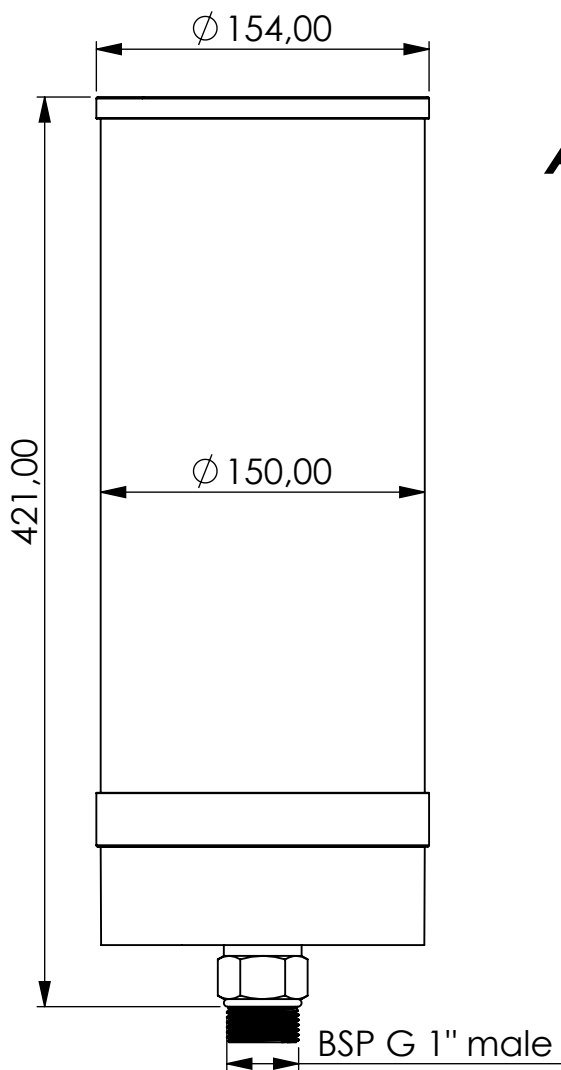


# Adsorber VV-DV series



Product Code	VV	-	DV	-	5L	-	F	-	30	-	P3	-	XC	-	G1m
	Adsorber type		Disposable cartridge + valves		Size		FKM seals		Check valves 3 IN 0 OUT		Paper filter 3 micron		Adsorbent GIEBEL Xdry® & carbon		Connection for System BSP G1" male

Housing materials:	PA6, PC, AL	
GIEBEL Xdry® (kg):	3,4	Color-change capacity (ml): 1190
Total weight (kg):	4.84	

NAME:		
<b>Adsorber VV-DV 5L IN G1"m</b>		
VV-DV_5L_F_30_P3_XC_G1m		
Article no.:	Status freigabe	Format A4
<b>05.0060.35</b>	Maßstab	Blatt / von
	1:3.5	1 / 1

 <b>GIEBEL Adsorber®</b> <small>...setting standards in aeration drying!</small>	rev.	Date	Name
		15.04.2023	Daniel Zinic
GIEBEL FilTec GmbH www.giebel-adsorber.de info@giebel-adsorber.de			