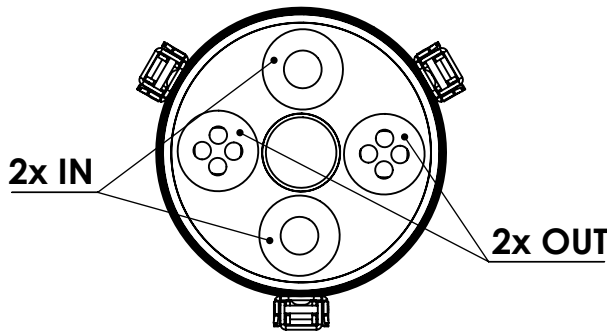
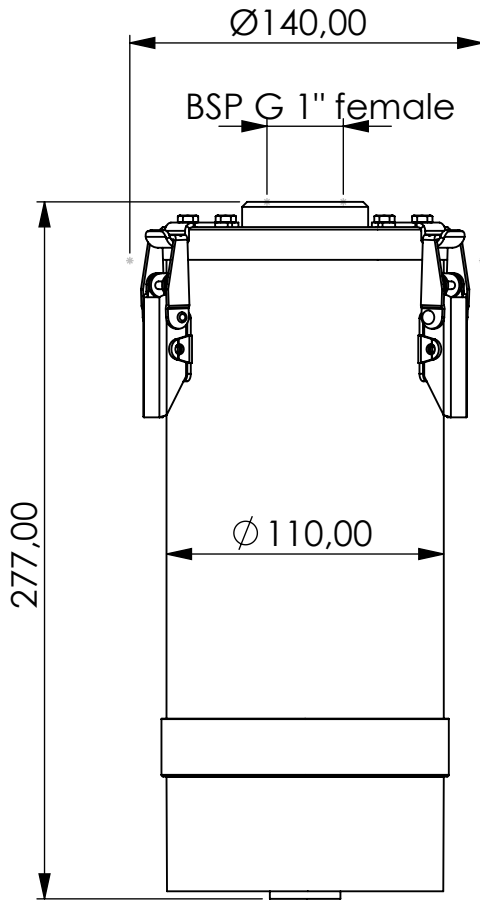


Adsorber TB-RV series



Product Code	TB	-	RV	-	3M	-	F	-	22	-	V2	-	XC	-	G1f
	Adsorber type		Refillable cartridge + valves		Size		FKM seals		Check valves 2 IN 2 OUT		Filter fleece 2 micron		Adsorbent GIEBEL Xdry® & carbon		Connection for System G 1" female

Housing materials:	PA6, PC, AL	
GIEBEL Xdry® (kg):	1,0	Color-change capacity (ml): 350
Total weight (kg):	2.32	

NAME:
Adsorber TB-RV 3M DIN42567C-G1f
TB-RV_3M_F_22_V2_XC_DIN42567C-G1f

 GIEBEL Adsorber® ...setting standards in aeration drying!	rev.	Date	Name
		27.04.2023	daniel.zinic
GIEBEL FilTec GmbH www.giebel-adsorber.de info@giebel-adsorber.de			

Article no.:	Status	Format
	freigabe	A4
06.0005.17	Maßstab	Blatt / von
	1:3	1 / 1