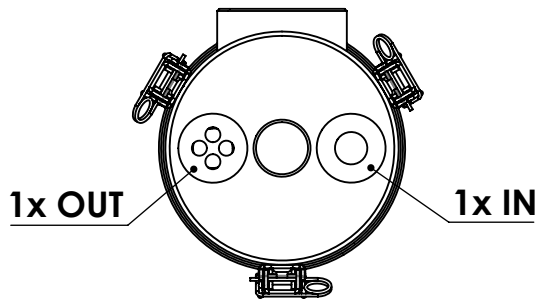
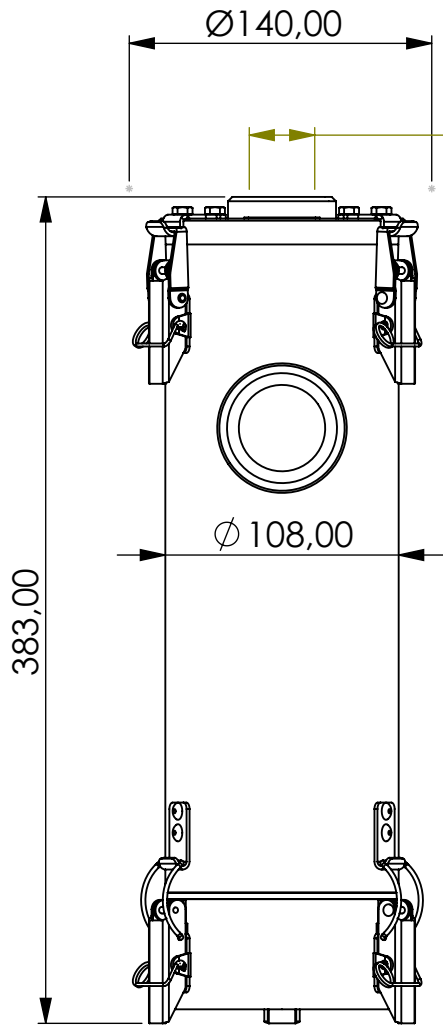


# Adsorber TM-RV series

DIN EN 50216-5:2002 + A3:2006

BSP G 1" female  
according to  
DIN42567C



Product Code	<b>TM</b>	-	<b>RV</b>	-	<b>3L</b>	-	<b>F</b>	-	<b>11</b>	-	<b>V2</b>	-	<b>XC</b>	-	<b>DIN42567C-G34f</b>
	Adsorber type		Refillable + valves		Size		FKM seals		Check valves 1 IN 1 OUT		Filter fleece 2 micron		Adsorbent GIEBEL Xdry® & carbon		Connection for System BSP G3/4 female

Housing materials:	Stainless steel 316L	
GIEBEL Xdry® (kg):	1,65	Color-change capacity (ml): 578
Total weight (kg):	6.20	

NAME:  
**Adsorber TM-RV 3L DIN42567C-G1" f**  
TM-RV\_3L\_F\_11\_V2\_XC\_DIN42567C-G1f

 <b>GIEBEL Adsorber®</b> <small>...setting standards in aeration drying!</small>	rev.	Date	Name
		24.05.2024	Daniel Zinic
GIEBEL FilTec GmbH www.giebel-adsorber.com info@gf-dry.com			

Article no.:	Status	Format
	freigabe	A4
<b>06.0010.09</b>	Maßstab	Blatt / von
	1:3.5	1 / 1