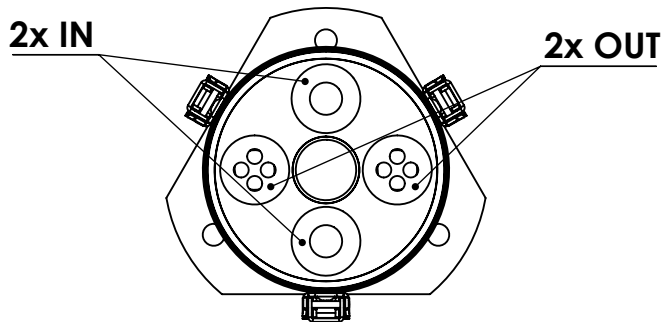
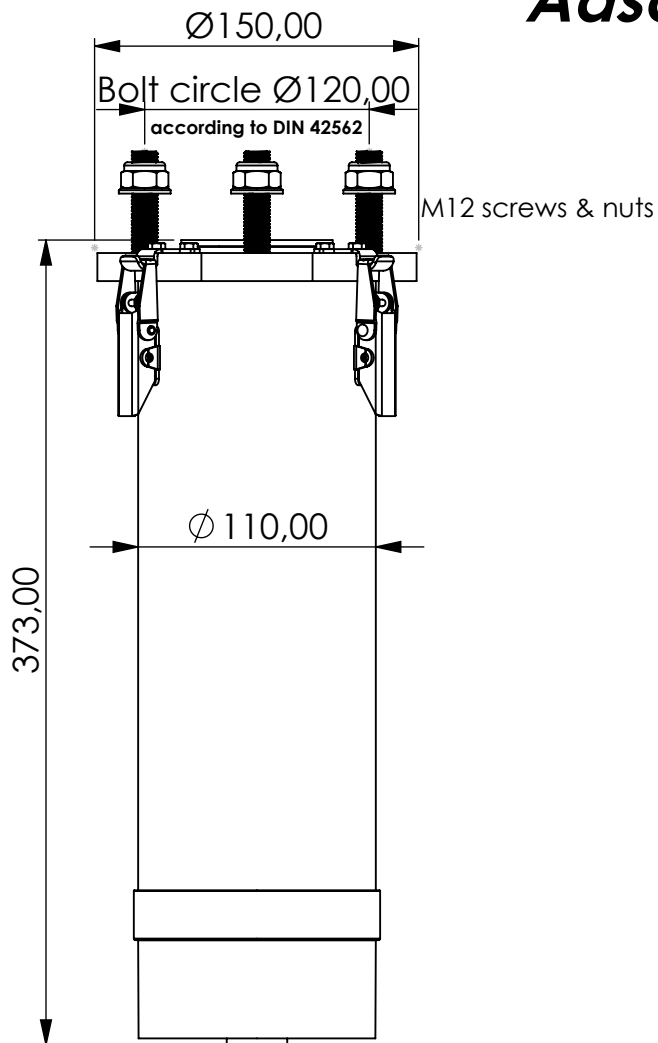


# Adsorber TB-RV series



Product Code	<b>TB</b>	-	<b>RV</b>	-	<b>3L</b>	-	<b>F</b>	-	<b>22</b>	-	<b>V2</b>	-	<b>XC</b>	-	<b>DIN42562</b>
	Adsorber type		Refillable cartridge + valves		Size		FKM seals		Check valves 2 IN 2 OUT		Filter fleece 2 micron		Adsorbent GIEBEL Xdry® & carbon		Connection for System DIN42562 flange

Housing materials: PA6, PC, AL

GIEBEL Xdry® (kg): 1,5      Color-change capacity (ml): 525

Total weight (kg): 3.4

NAME:

**Adsorber TB-RV 3L DIN42562**  
TB-RV\_3L\_F\_22\_V2\_XC\_DIN42562

Article no.:  
**06.0010.19**

Status freigabe	Format A4
Maßstab 1:3.5	Blatt / von 1 / 1



**GIEBEL Adsorber®**  
...setting standards in aeration drying!

GIEBEL FilTec GmbH  
www.giebel-adsorber.de  
info@giebel-adsorber.de