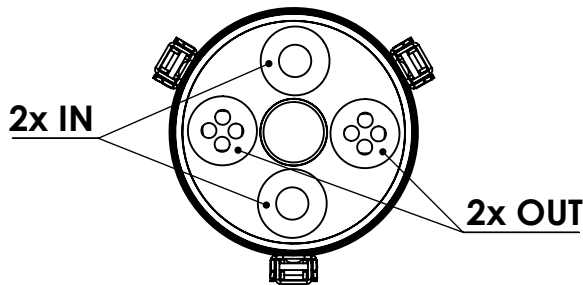
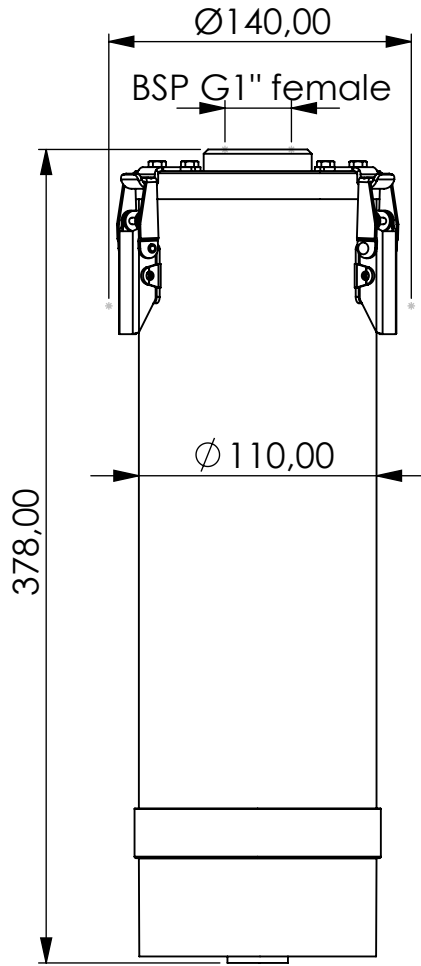


Adsorber TB-RV series



Product Code	TB	-	RV	-	3M	-	F	-	22	-	V2	-	XC	-	G1f
	Adsorber type		Refillable cartridge + valves		Size		FKM seals		Check valves 2 IN 2 OUT		Filter fleece 2 micron		Adsorbent GIEBEL Xdry® & carbon		Connection for System G 1'' female

Housing materials:	PA6, PC, AL	
Silica Gel (kg):	1,5	Max. water adsorbtion (ml): 525
Total weight (kg):	3.09	

NAME:
Adsorber TB-RV 3L DIN42567C-G1f
 TB-RV_3L_F_22_V2_SA_DIN42567C-G1f

 GIEBEL Adsorber® <small>...setting standards in aeration drying!</small>	Date	Name
	rev. 28.04.2023	daniel.zinic
GIEBEL FilTec GmbH www.giebel-adsorber.de info@giebel-adsorber.de		

Article no.: 06.0010.25	Status freigabe	Format A4
	Maßstab 1:3.5	Blatt / von 1 / 1