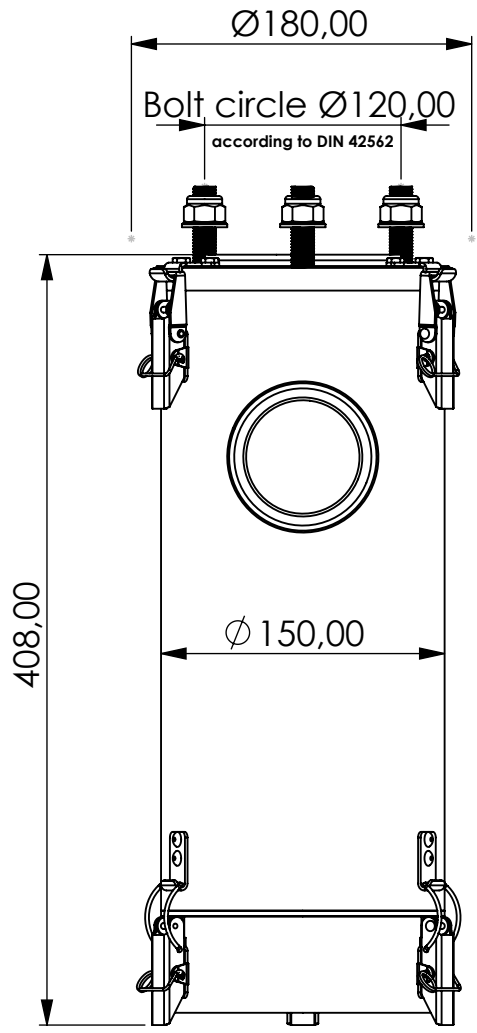
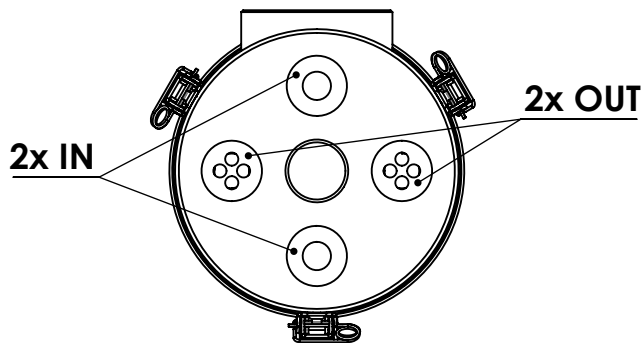
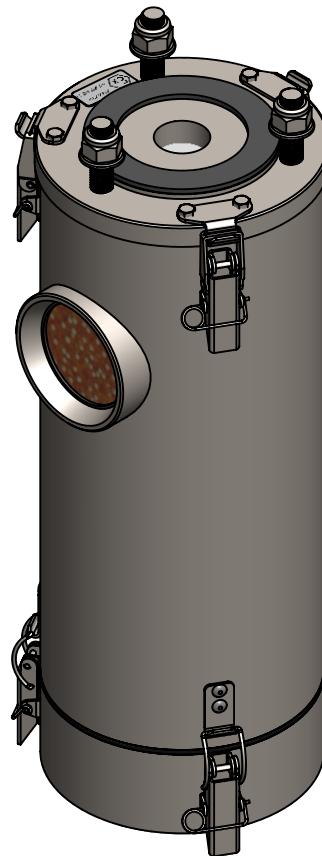


Adsorber TM-RV series

DIN EN 50216-5:2002 + A3:2006



M12 screws & nuts



Product Code	TM	-	RV	-	5L	-	F	-	22	-	V2	-	XC	-	DIN42562
	Adsorber type		Refillable + valves		Size		FKM seals		Check valves 2 IN 2 OUT		Filter fleece 2 micron		Adsorbent GIEBEL Xdry® & carbon		Connection for System DIN42562 flange

Housing materials:	Stainless steel 316L	
GIEBEL Xdry® (kg):	3,6	Color-change capacity (ml): 1260
Total weight (kg):	11.5	

NAME:
Adsorber TM-RV 5L DIN42562
 TM-RV_5L_F_22_V2_XC_DIN42562

Article no.:	Status	Format
	freigabe	A4
06.0020.09	Maßstab	Blatt / von
	1:4	1 / 1



GIEBEL Adsorber®
 ...setting standards in aeration drying!

GIEBEL FilTec GmbH
 www.giebel-adsorber.com
 info@gf-dry.com