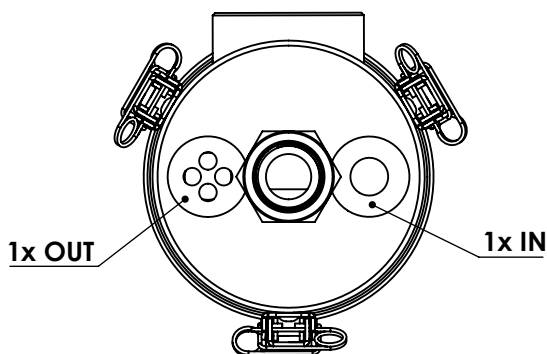
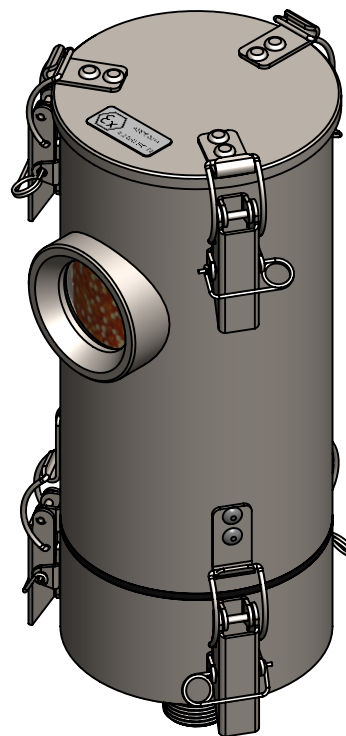
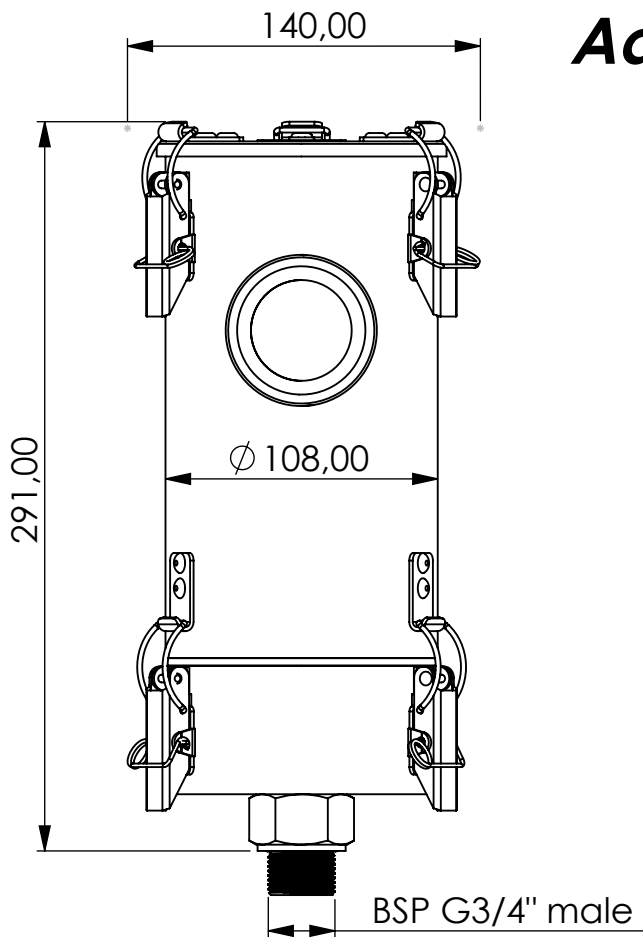


Adsorber ME-RV series



Product Code	ME	-	RV	-	3M	-	F	-	11	-	P3	-	XC	-	G34m
	Adsorber type		Refillable cartridge + valves		Size		FKM seals		Check valves 1 IN 1 OUT		Paper filter 3 micron		Adsorbent GIEBEL Xdry® & carbon		Connection for System BSP G3/4" male

Housing materials:	Stainless steel 316L	
GIEBEL Xdry® (kg):	0.85	Color-change capacity (ml): 298
Total weight (kg):	4.57	

NAME:		
Adsorber ME-RV 3M G3/4"m		
ME-RV_3M_F_11_P3_XC_G34m		
Article no.:	Status freigabe	Format A4
07.0001.22	Maßstab	Blatt / von
	1:3	1 / 1

 GIEBEL Adsorber® ...setting standards in aeration drying!	rev.	Date	Name
		24.05.2024	Daniel Zinic
GIEBEL FilTec GmbH www.giebel-adsorber.com info@gf-dry.com			