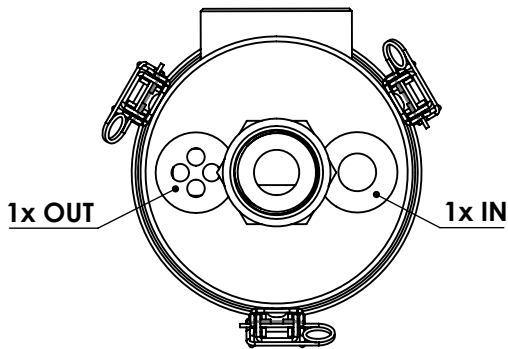
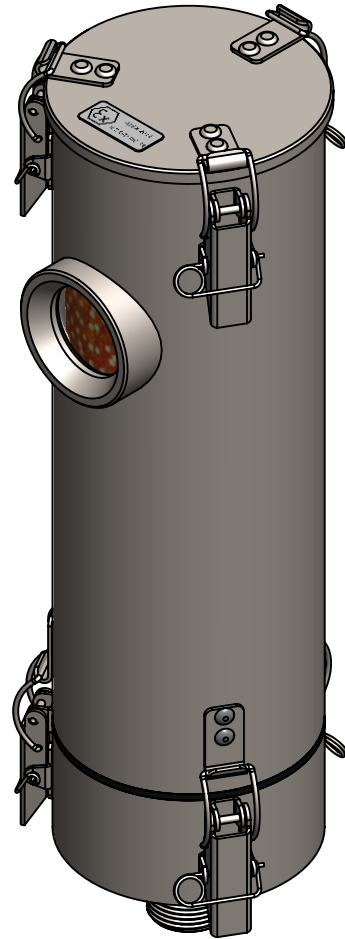
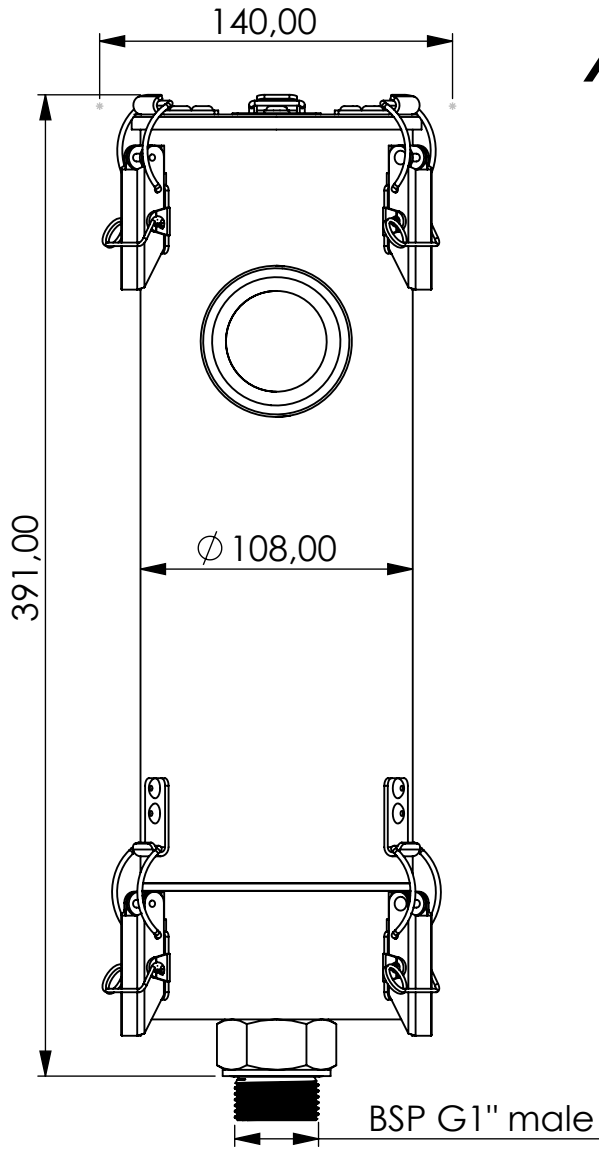


Adsorber ME-RV series



Product Code	ME	-	RV	-	3L	-	F	-	11	-	P3	-	XC	-	G1m
	Adsorber type		Refillable cartridge + valves		Size		FKM seals		Check valves 1 IN 1 OUT		Paper filter 3 micron		Adsorbent GIEBEL Xdry® & carbon		Connection for System BSP G1" male

Housing materials:	Stainless steel 316L	
GIEBEL Xdry® (kg):	1,4	Color-change capacity (ml): 490
Total weight (kg):	6.0	

NAME:	Adsorber ME-RV 3L G1"m	
	ME-RV_3L_F_11_P3_XC_G1m	

 GIEBEL Adsorber® <small>...setting standards in aeration drying!</small>	rev.	Date	Name
		24.05.2024	Daniel Zinic
GIEBEL FilTec GmbH www.giebel-adsorber.com info@gf-dry.com			

Article no.:	Status	Format
07.0001.41	freigabe	A4
	Maßstab	Blatt / von
	1:3	1 / 1