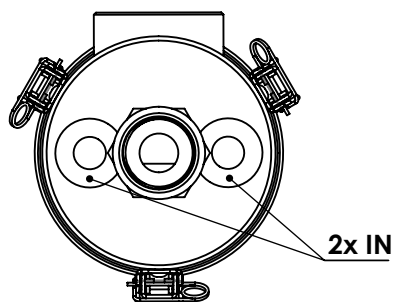
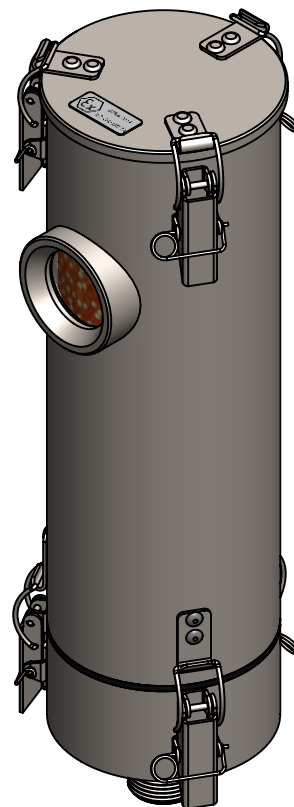
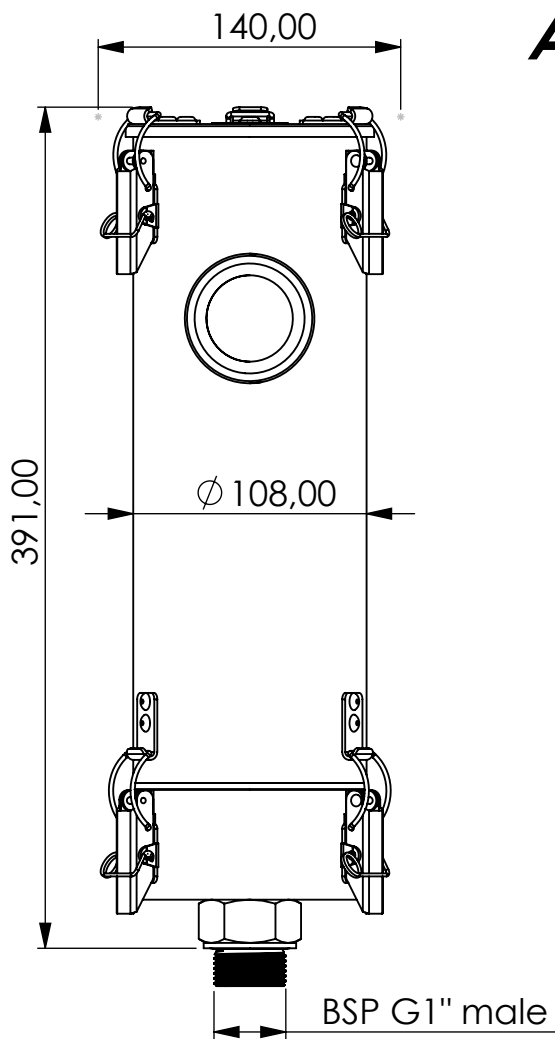


Adsorber ME-RV series



Product Code	ME	-	RV	-	3L	-	F	-	20	-	P3	-	XC	-	G1m
Adsorber type	Refillable cartridge + valves		Size	FKM seals	Check valves 2 IN 0 OUT	Paper filter 3 micron	Adsorbent GIEBEL Xdry® & carbon	Connection for System BSP G1" male							

Housing materials: Stainless steel 316L

GIEBEL Xdry® (kg): 1,4 Color-change capacity (ml): 490

Total weight (kg): 6.0

NAME:

Adsorber ME-RV 3L IN G1"m
ME-RV_3L_F_20_P3_XC_G1m

Article no.:
07.0001.52

Status freigabe	Format A4
Maßstab 1:3.5	Blatt / von 1 / 1



GIEBEL Adsorber®
...setting standards in aeration drying!

GIEBEL FilTec GmbH
www.giebel-adsorber.com
info@gf-dry.com