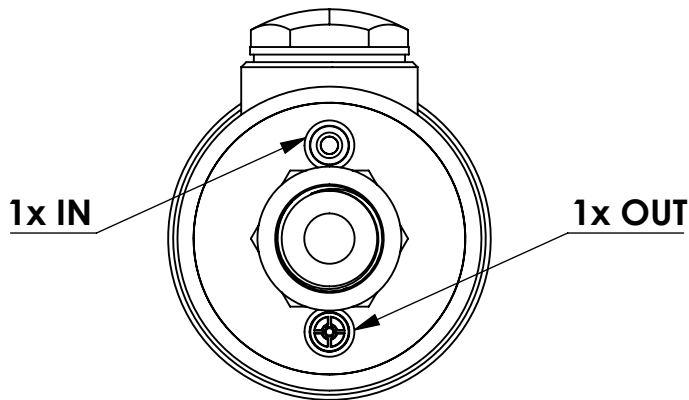
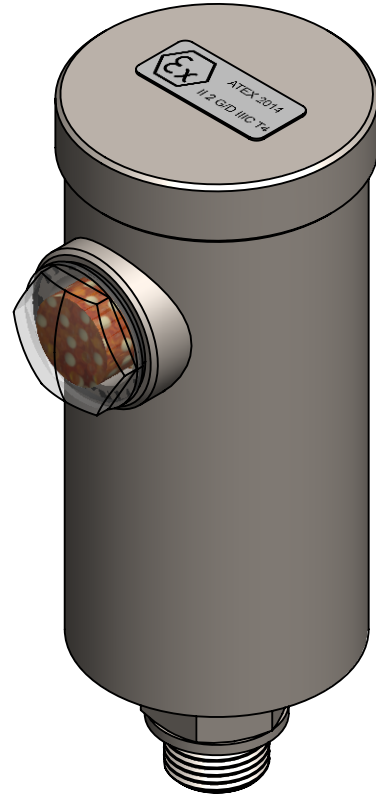
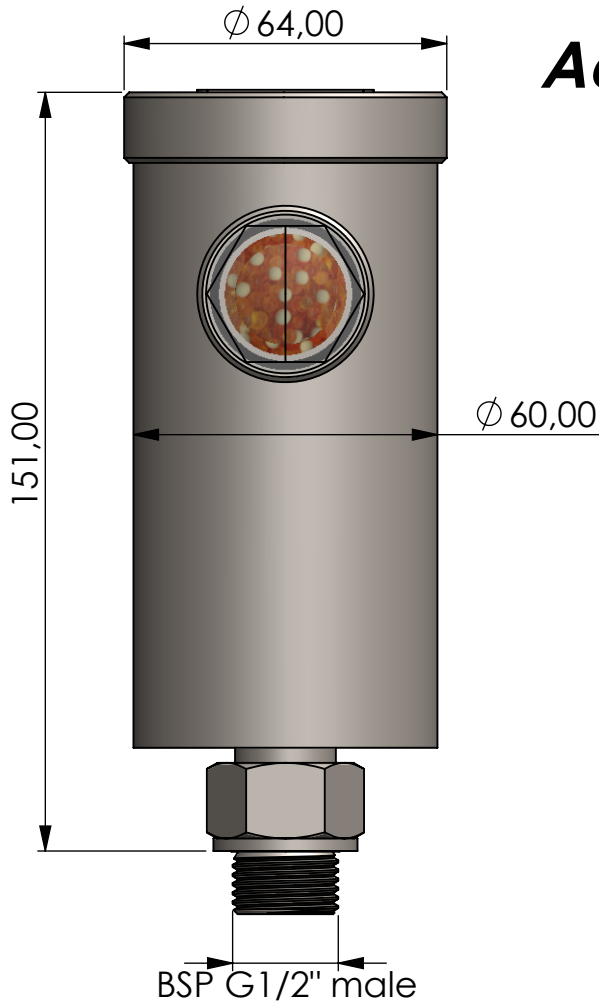


Adsorber ME-RV series



Product Code	ME	-	RV	-	1L	-	F	-	11	-	V2	-	XC	-	G12m
	Adsorber type		Refillable cartridge + valves		Size		FKM seals		Check valves 1x IN 1x OUT		Filter fleece 2 micron		Adsorbent GIEBEL Xdry® & carbon		Connection for System BSP G1/2" male

Housing materials:	Stainless steel 316L	
GIEBEL Xdry® (kg):	0,15	Color-change capacity (ml): 53
Total weight (kg):	1.28	

NAME:		
Adsorber ME-RV 1L G1/2"m		
ME-RV_1L_F_11_V2_XC_G12m		
Article no.:	Status freigabe	Format A4
07.0001.74	Maßstab	Blatt / von
	1:1.5	1 / 1

	Date	Name
rev.	06.06.2024	Daniel Zinic
GIEBEL FilTec GmbH		
www.giebel-adsorber.com		
info@gf-dry.com		

