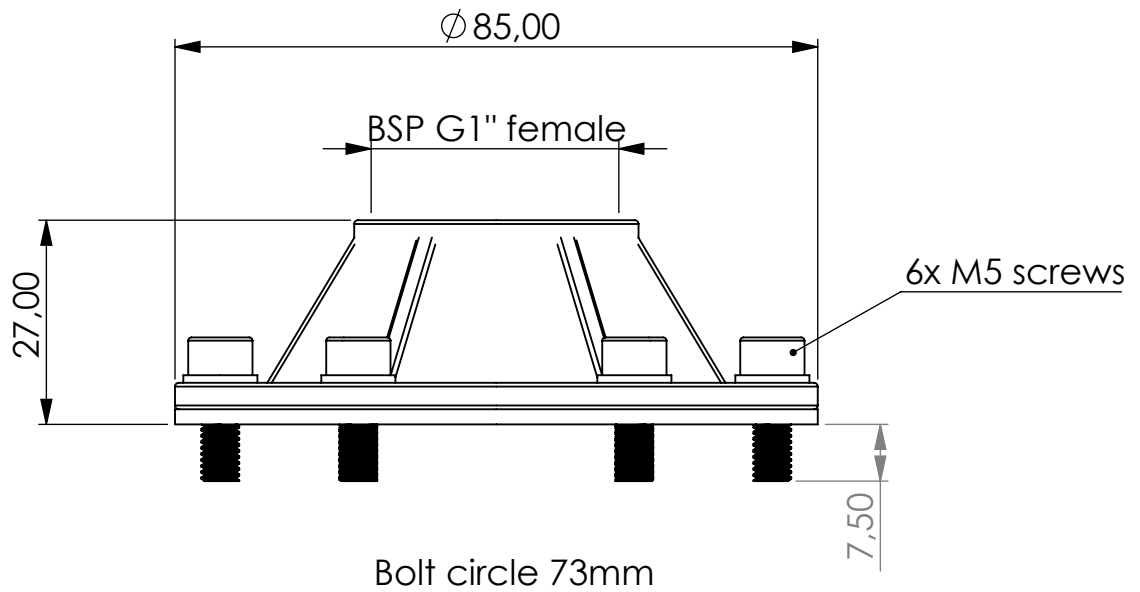
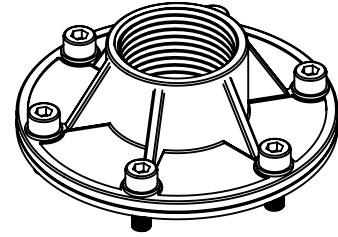


Flange adapter



Product Code	FLA	-	LK73	-	PA	-	N	-	G1f
	Flange adapter		Bolt circle 73mm connection for system		Material PA6 GF30		NBR seals		Connection for Adsorber BSP G1" female

Total weight (kg): 0.06

NAME:

Flange adapter
FLA-LK73_PA_N_G1f

Article no.:

07.2134.01

Status approved

Format A4

Ratio 1:2

Sheet / of 1 / 1

	Date	Name
rev.	25.10.2023	Daniel Zinic

GIEBEL FilTec GmbH
 www.giebel-adsorber.com
 info@gf-dry.com



GIEBEL Adsorber®
 ...setting standards in aeration drying!