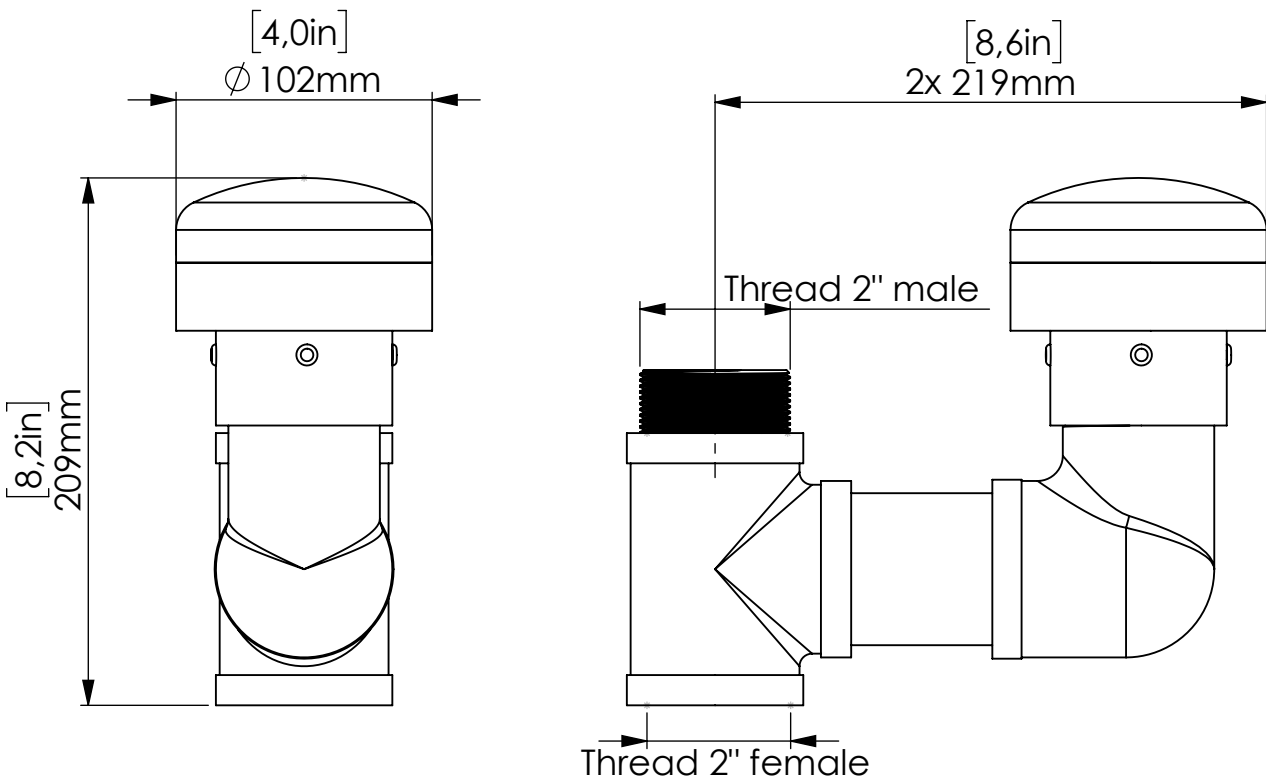
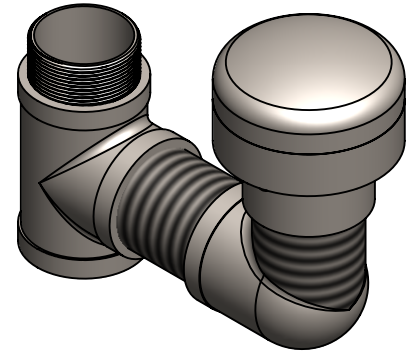


# Ventilation System EBS



Product Code	<b>EBS-ASM</b>	-	<b>SS</b>	-	<b>1</b>	-	<b>V0,008</b>	-	<b>2m</b>	-	<b>2f</b>
	Ventilation System EBS Assembly		Material stainless steel 316L		1 Valve (out)		8mbar opening pressure		Connection for Adsorber Thread 2" male		Connection for System Thread 2" female

Total weight (kg/lb): 2.777 / 6.12

NAME:

**Ventilation System EBS**  
EBS-ASM\_SS\_1-V0,008\_2m\_2f

Article no.:  
**08.0000.66**

Status approved

Format A4

Ratio 1:3

Sheet / of 1 / 1



**GIEBEL Adsorber®**  
...setting standards in aeration drying!

GIEBEL FilTec  
www.giebel-adsorber.de  
info@gf-dry.com