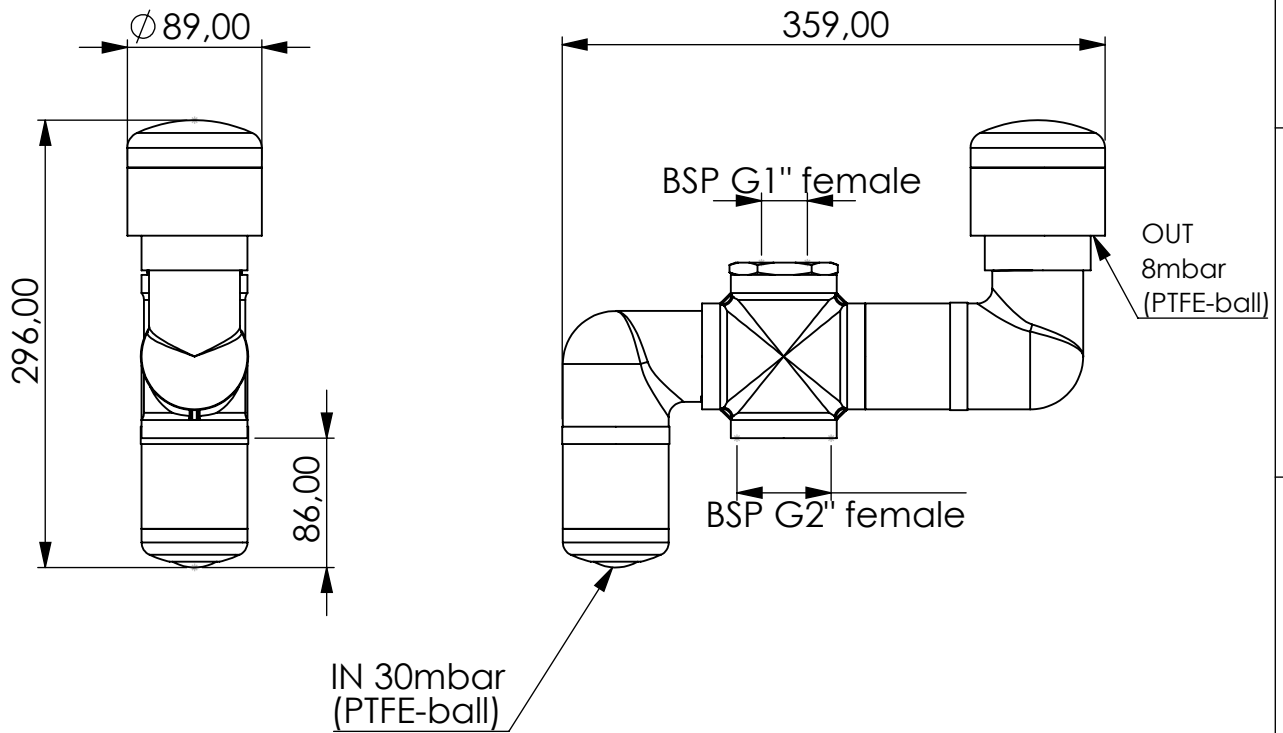
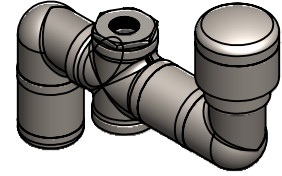


Ventilation System EBS



Product Code	EBS-PRT	SS	1	V0,030	1	V0,008	G1f	G2f
	Ventilation System with protection bypass	Material stainless steel 316L	1 Valve IN	30mbar opening pressure	1 Valve OUT	8mbar opening pressure	Connection for Adsorber BSP G2" female	Connection for System BSP G2" female

Total weight (kg): 3.703

NAME:

Ventilation System EBS

EBS-PRT_SS_1-V0,030_1-V0,008_G1f_G2f

Article no.:

08.0000.86

Status approved

Format A4

Ratio 1:5

Sheet / of 1 / 1



GIEBEL Adsorber®
...setting standards in aeration drying!

GIEBEL FilTec GmbH
www.giebel-adsorber.de
info@giebel-adsorber.de