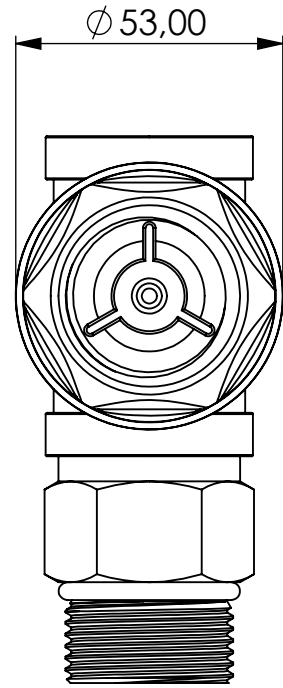
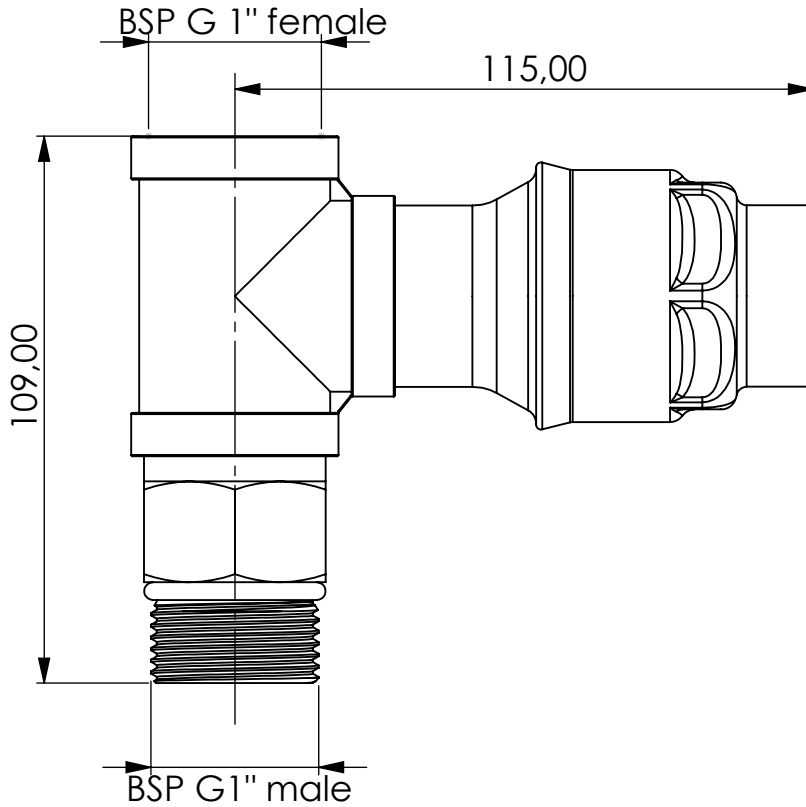
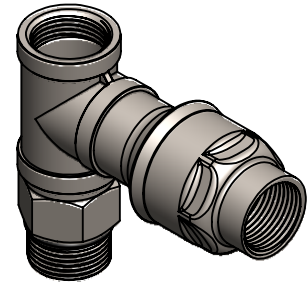


Ventilation System EBS



Product Code	EBS	-	BY	-	SS	-	F	-	1	-	V0,015	-	G1f	-	G1m
	Ventilation System EBS		Bypass version		Material stainless steel		FKM seals		1 Valve (out)		15mbar opening pressure		Connection for Adsorber BSP G1" female		Connection for System BSP G1" male

Total weight (kg): 1.06

NAME:

Ventilation System EBS
EBS-BY_SS_F_1-V0,015_G1f_G1m

Article no.:
08.0000.94

Status approved

Format A4

Ratio 1:1.5

Sheet / of 1 / 1



GIEBEL Adsorber®
 ...setting standards in aeration drying!

GIEBEL FilTec GmbH
 www.giebel-adsorber.de
 info@giebel-adsorber.de