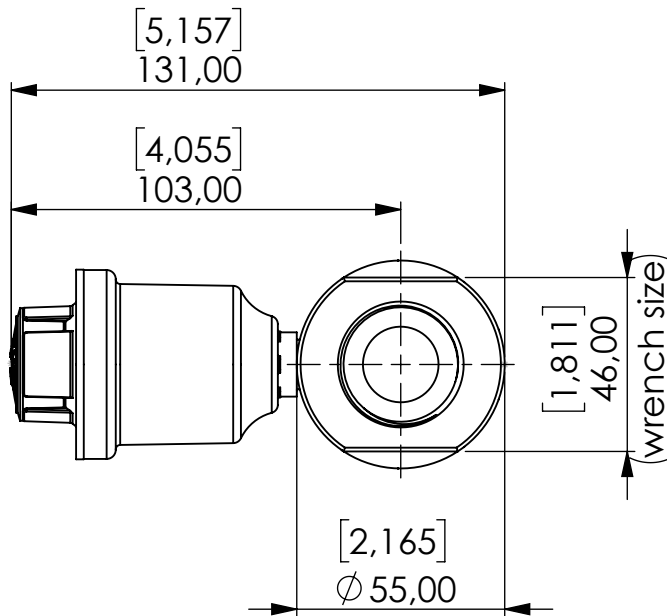
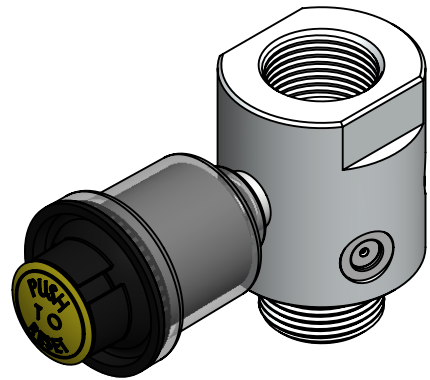
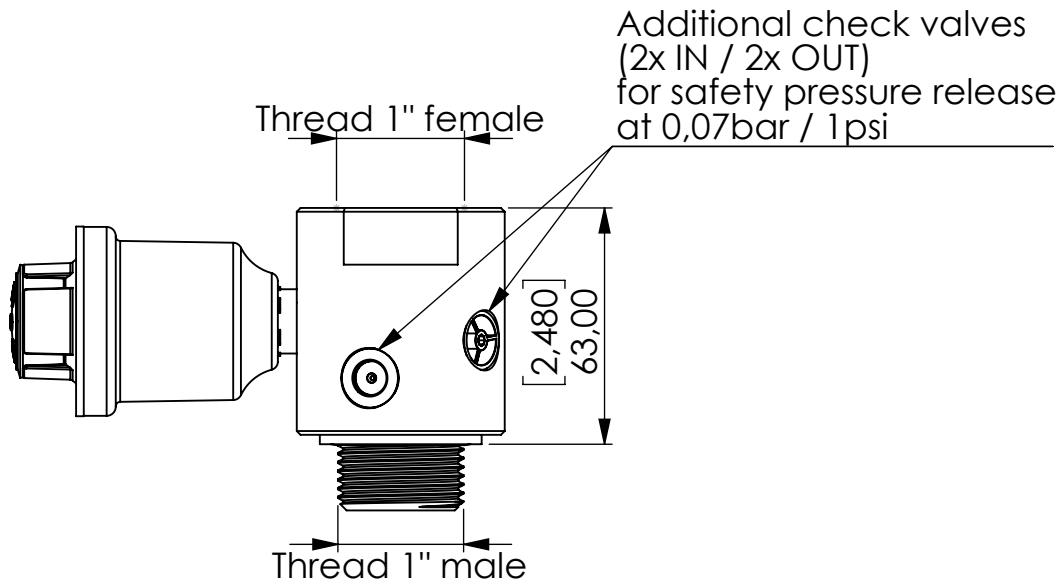


Protection Adapter



Contamination indicator for cases of blockage (80mbar / 1.16psi). Optically



Product Code	PRT	-	AD	-	SS	-	F	-	F0,08_V0,07	-	1f	-	1m
	Protection Adapter		Adapter female-male		Material stainless steel		FKM seals		Filterminder 0,8bar / 1.16psi + check valves 0,07bar / 1psi		Connection for Adsorber Thread 1" female		Connection for Adsorber Thread 1" male

Total weight (kg/lb): 0.37 / 0.82

NAME:

Protection Adapter

PRT-AD_AL_F_F0,08_V0,07_1f_1m

Article no.:

08.2104.01

Status approved

Ratio 1:2

Format A4

Sheet / of 1 / 1



GIEBEL Adsorber®
...setting standards in aeration drying!

GIEBEL
www.giebel-adsorber.com
info@gf-dry.com