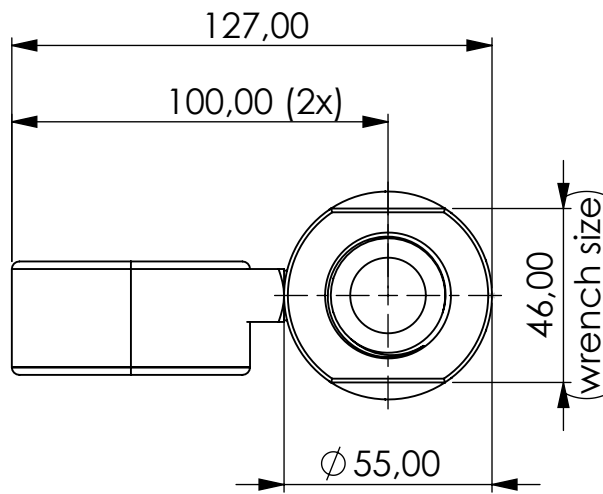
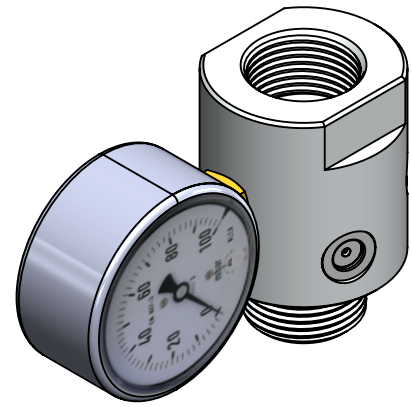
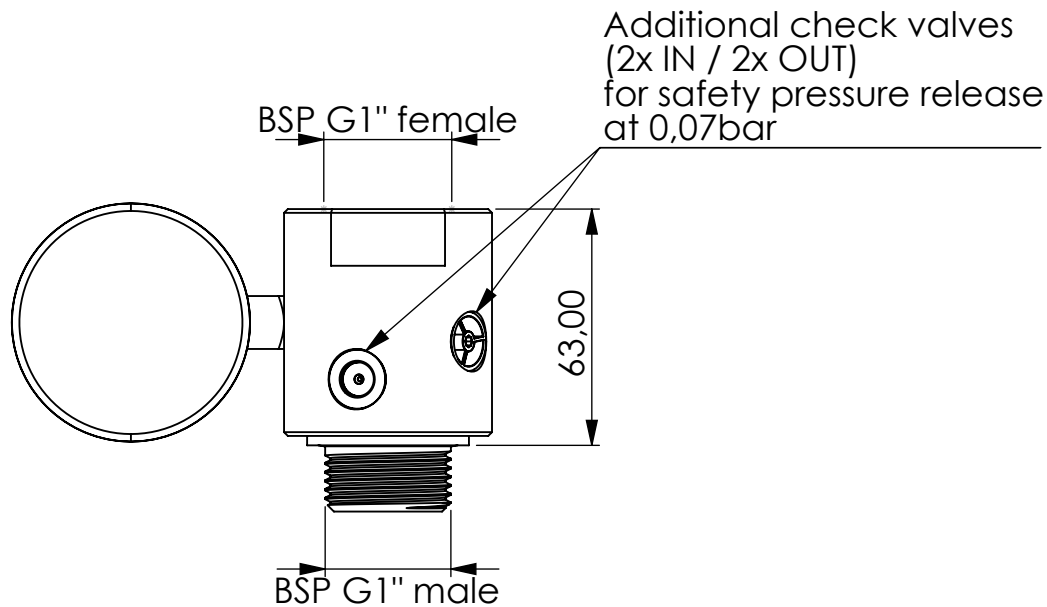


Protection Adapter



Contamination indicator for cases of blockage (100mbar).
Optically

- Pressure gauge (up to 100mbar)



Product Code	PRT	-	AD	-	SS	-	F	-	F0,1-ma_V0,07	-	G1f	-	G1m
	Protection Adapter		Adapter female-male		Material stainless steel		FKM seals		Manometer 0,1bar + check valves 0,07bar		Connection for Adsorber BSP G1" female		Connection for Adsorber BSP G1" male

Total weight (kg): 0.40

NAME:

Protection Adapter

PRT-AD_AL_F_F0,1-ma_V0,15_G1f_G1m

Article no.:

08.2104.15

Status approved

Format A4

Ratio 1:2

Sheet / of 1 / 1



GIEBEL Adsorber®
...setting standards in aeration drying!

GIEBEL FilTec GmbH
www.giebel-adsorber.de
info@giebel-adsorber.de