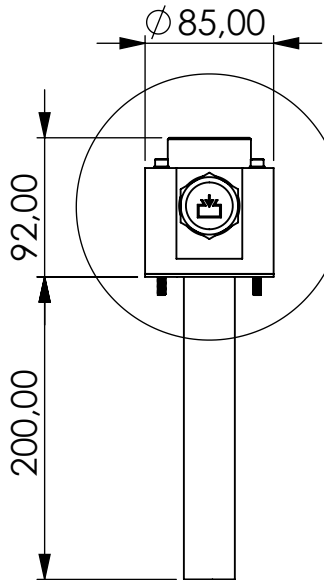
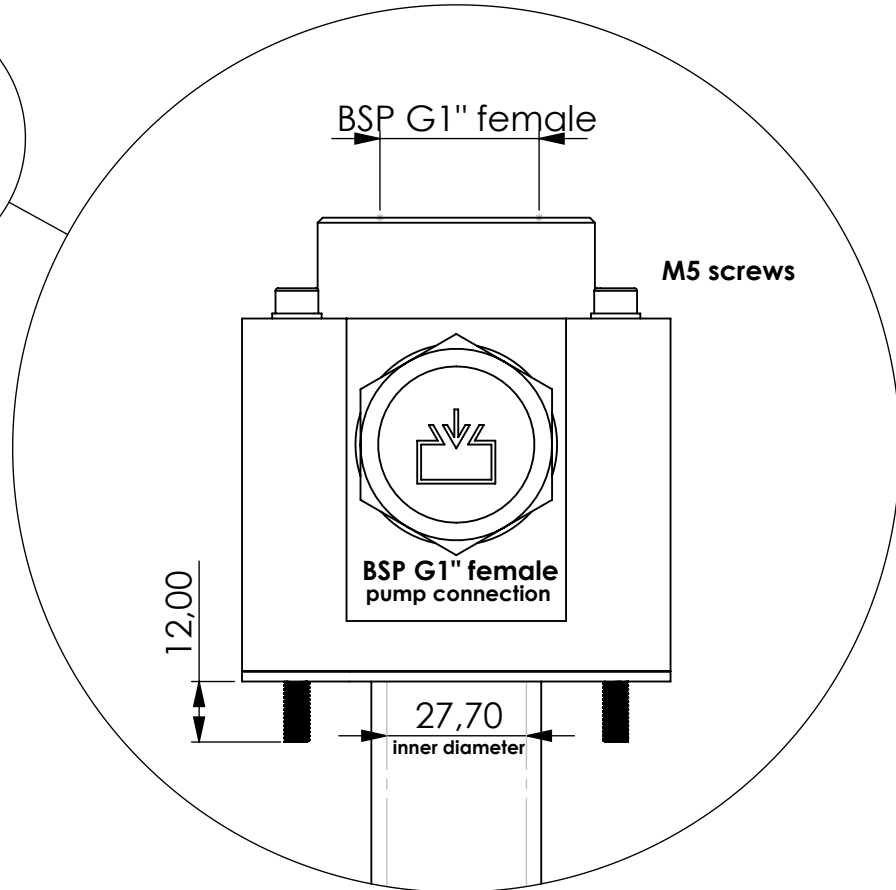
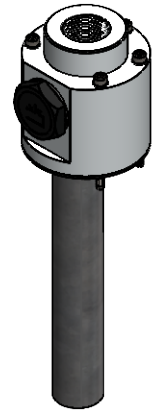
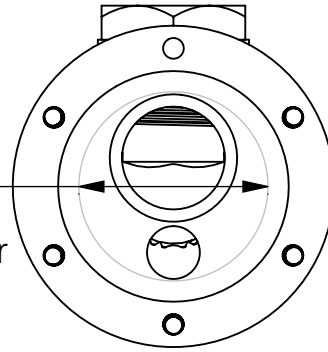


Filling Adapter



(ϕ 50,00)
stays within
nominal diameter



Product Code	FILL	-	LK73-PUMP	-	AL	-	F	-	G1f
	Filling Adapter		Bolt circle 73mm (DIN 24557) + BSP G1" female pump connection		Material Aluminium		FKM seals		Connection for Adsorber BSP G1" female

Filling rate (at 3m/s): 90L/min

Total weight (kg): 1.52

NAME:

Filling Adapter

FILL-LK73-PUMP_AL_F_G1f

Article no.:

08.2112.29

Status approved

Ratio 1:5

Format A4

Sheet / of 1 / 1



GIEBEL Adsorber®
...setting standards in aeration drying!

GIEBEL FilTec GmbH
www.giebel-adsorber.com
info@gf-dry.com