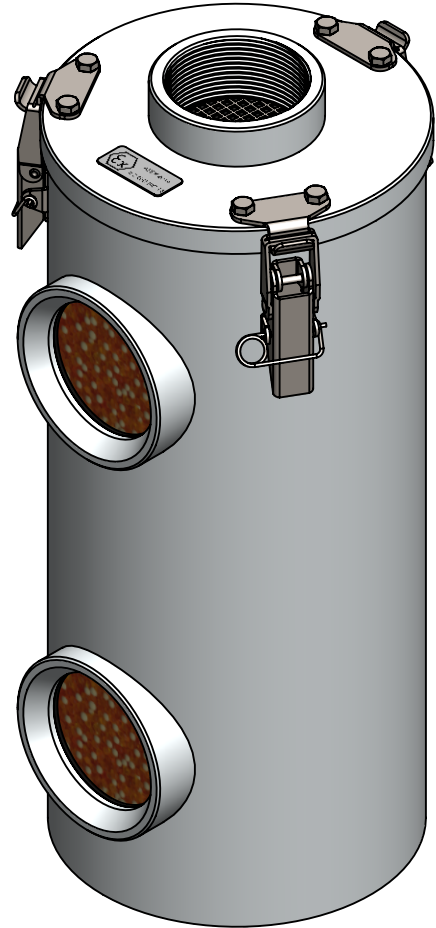
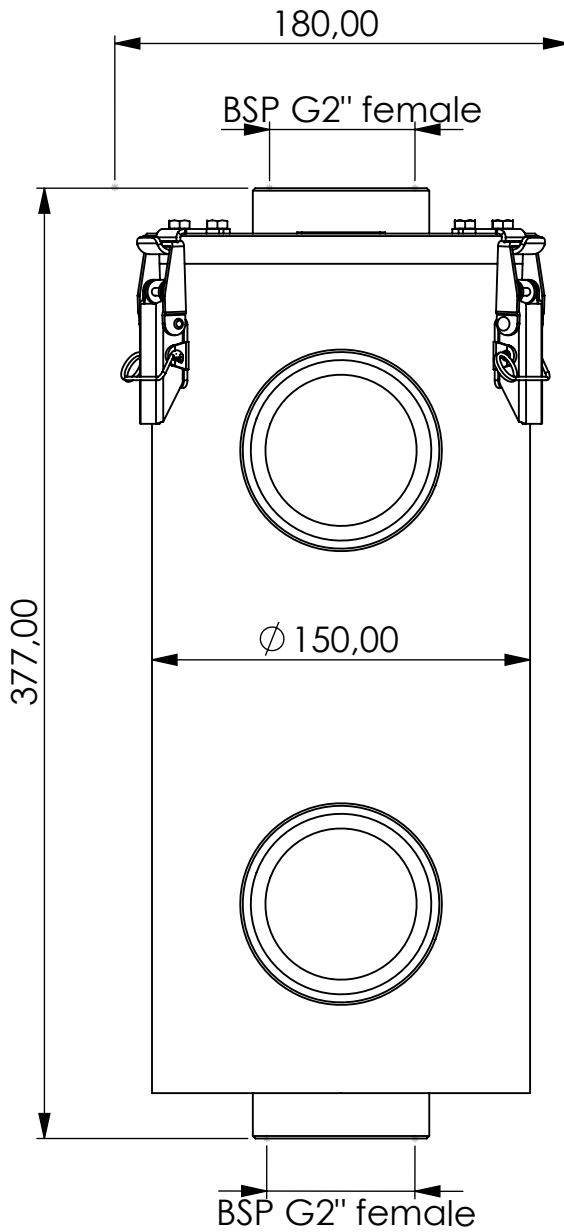


# Adsorber VM-R series



Product Code	<b>VM</b>	-	<b>R</b>	-	<b>5L</b>	-	<b>F</b>	-	<b>V2</b>	-	<b>X</b>	-	<b>G2f</b>	-	<b>G2f</b>
	Adsorber type		Refillable cartridge		Size		FKM seals		Fleece filter 2 micron		Adsorbent GIEBEL Xdry®		Connection for System BSP G2" female		Connection for System BSP G2" female

Housing materials:	AL		
GIEBEL Xdry® (kg):	4.0	Color-change capacity (ml):	1400
Total weight (kg):	6.7		

NAME:		
<b>Adsorber VM-R 5L G2" f</b>		
VM-R_5L_F_V2_X_G2f_G2f		
Article no.:	Status approved	Format
<b>12.0000.77</b>	Ratio	Sheet / of
	1:3	1 / 1

	Date	Name
rev.	05.11.2024	Daniel Zinic
 <b>GIEBEL Adsorber®</b> ...setting standards in aeration drying!		
GIEBEL FilTec GmbH www.giebel-adsorber.com info@gf-dry.com		