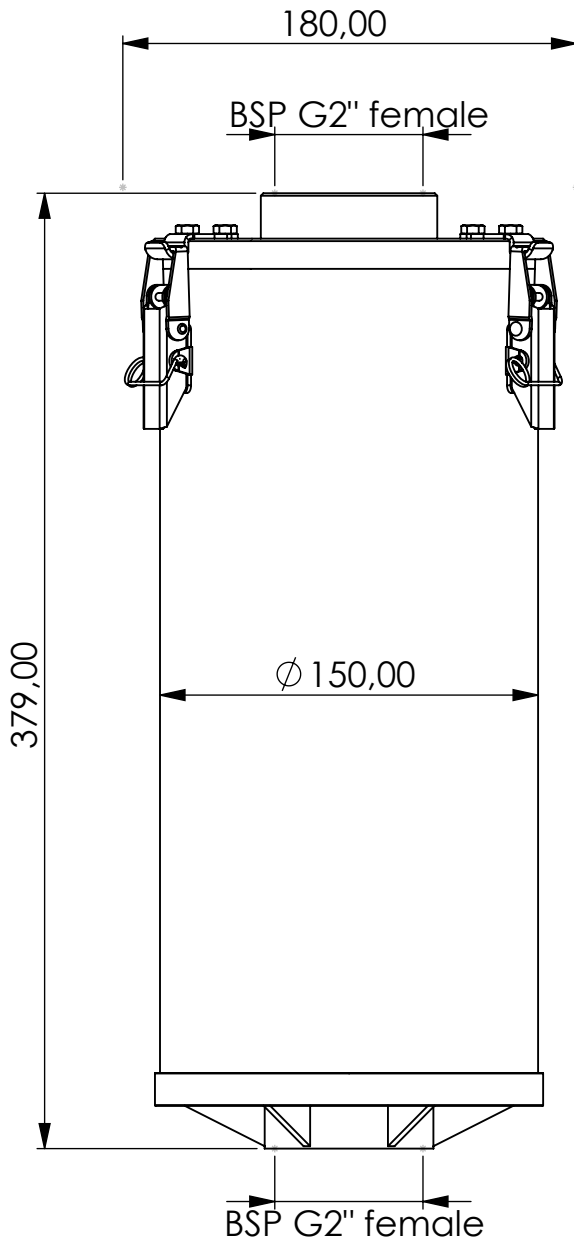


Adsorber VL-R series



Product Code	VL	-	R	-	5L	-	F	-	V2	-	X	-	G2f	-	G2f
	Adsorber type		Refillable cartridge		Size		FKM seals		Fleece filter 2 micron		Adsorbent GIEBEL Xdry®		Connection for System BSP G2'' female		Connection for System BSP G2'' female

Housing materials:	PA6, PC, AL	
GIEBEL Xdry® (kg):	3.7	Color-change capacity (ml): 1295
Total weight (kg):	5.818	

NAME:		
Adsorber VL-R 5L G2''f		
VL-R_5L_F_V2_X_G2f_G2f		
Article no.:	Status approved	Format A4
12.0000.99	Ratio 1:3	Sheet / of 1 / 1

	Date	Name
rev.	07.11.2024	Daniel Zinic
GIEBEL FilTec GmbH		
www.giebel-adsorber.com		
info@gf-dry.com		



GIEBEL Adsorber®
...setting standards in aeration drying!