

1

2

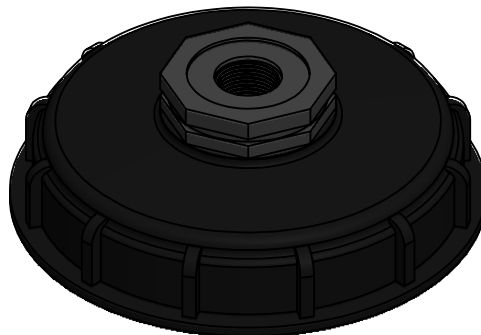
3

4

A

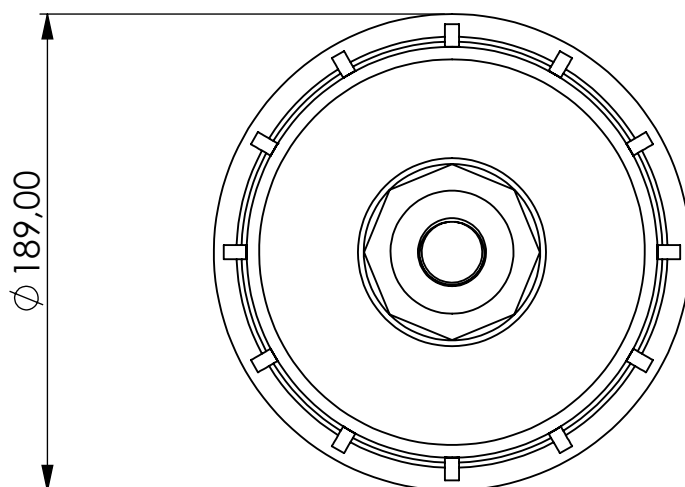
A

IBC Cover



B

B

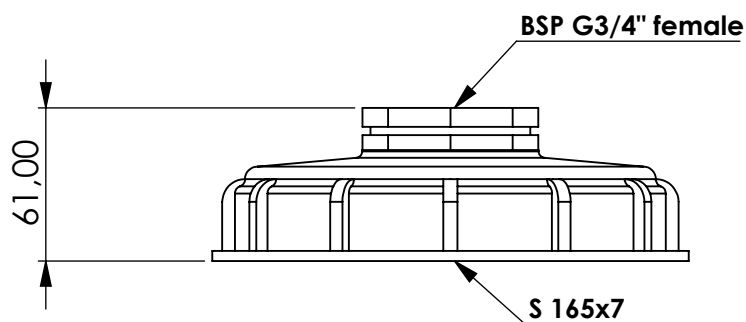

 $\varnothing 189,00$

C

C

D

D



61,00

BSP G3/4" female

S 165x7

E

E

Product Code	IBCD	-	150	-	PL	-	E	-	G34i
	IBC Cover		Size 150mm / S 165x7		plastic		EPDM seal		Connection for Adsorber BSP G3/4" female

F

F



GIEBEL Adsorber®
...setting standards in aeration drying!

GIEBEL FilTec GmbH
www.giebel-adsorber.de
info@giebel-adsorber.de

Total weight (kg): 0.55

NAME:

IBC Cover
IBCD-150_PL_E_G34i

Article no.:

33.0539.00

Status approved

Format A4

Ratio 1:3

Sheet / of 1 / 1

1

2

3

4