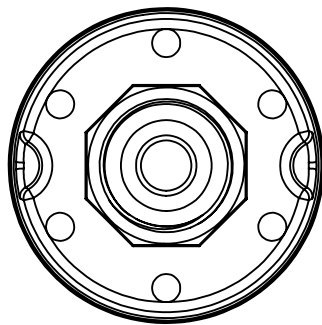
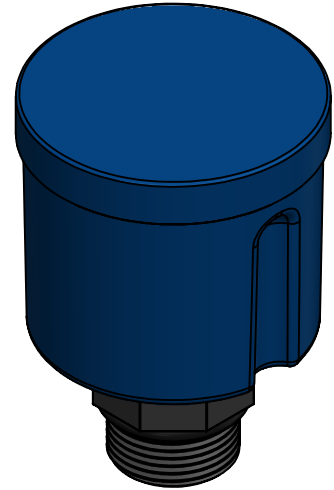
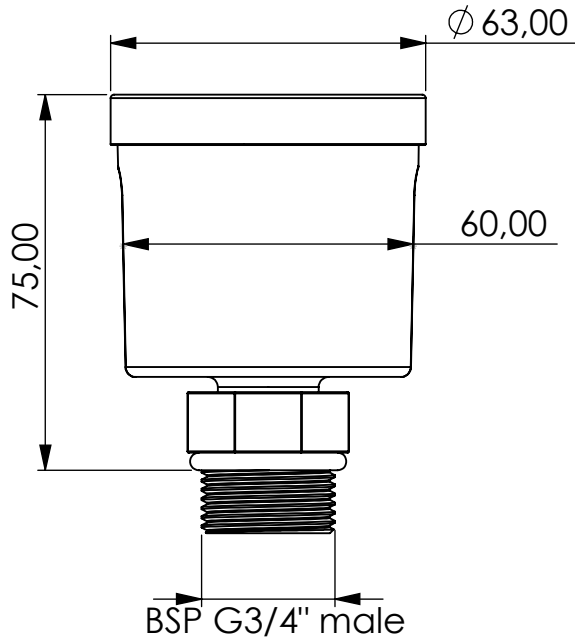


Adsorber HS-D series



Hydrophobic and oleophobic breather

Product Code	HS	-	D	-	M	-	F	-	e0.3	-	G34m
	Adsorber type		Disposable cartridge		Size		FKM seals		Filter ePTFE 0.3 micron		Connection for System BSP G3/4" male

Housing materials: PA6, PVC	
Silica Gel (kg): -	Max. water adsorbtion (ml): -
Total weight (kg): 0.10	
NAME:	
Adsorber HS-D M G3/4"m	
HS-D_M_F_e0.3_G34m	
Article no.:	Status
02.0000.05	freigabe
	Format
	A4
	Maßstab
	Blatt / von
	1:1.5
	1 / 1

	Date	Name
rev.	07.12.2022	Daniel Zinic
GIEBEL FilTec GmbH		
www.giebel-adsorber.de		
info@giebel-adsorber.de		

