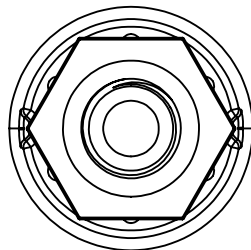
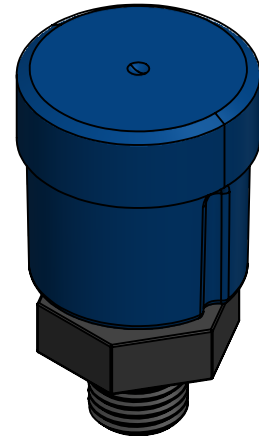
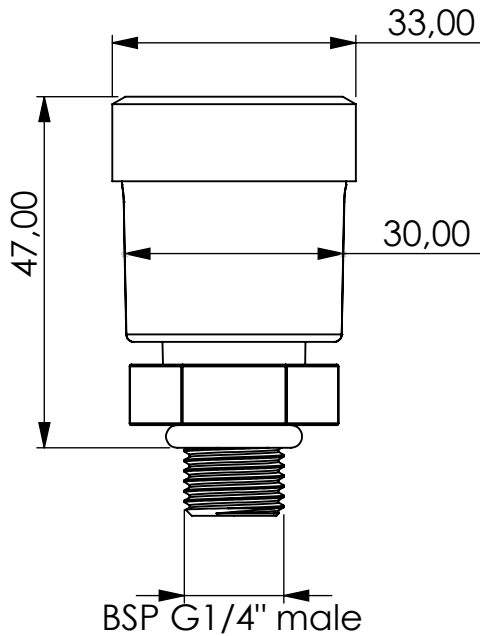


Adsorber HS-D series



Hydrophobic and oleophobic breather

Product Code	HS	-	D	-	S	-	F	-	e0.3	-	G14m
	Adsorber type		Disposable cartridge		Size		FKM seals		Filter ePTFE 0.3 micron		Connection for System BSP G1/4" male

Housing materials:	PA6, PE, PVC
Silica Gel (kg):	-
Max. water adsorbtion (ml):	-
Total weight (kg):	0.03

NAME:	
Adsorber HS-D S G1/4"m	
HS-D_S_F_e0.3_G14m	
Article no.:	Status
02.0000.09	freigabe
	Format
	A4
	Maßstab
	Blatt / von
	1 / 1

	Date	Name
rev.	07.12.2022	Daniel Zinic
GIEBEL FilTec GmbH		
www.giebel-adsorber.de		
info@giebel-adsorber.de		

