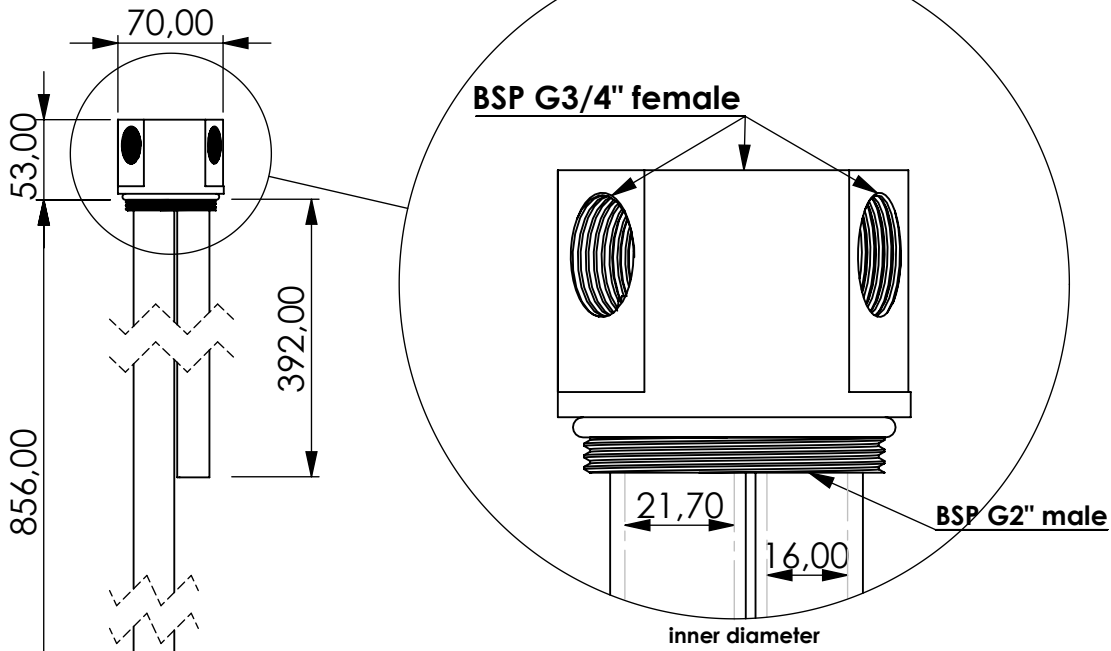


# Suction lance



**Suction rate (at 1.5m/s): 30L/min**  
**Filling rate (at 3m/s): 30L/min**

Product Code	<b>SAL</b>	-	<b>BAR</b>	-	<b>AL</b>	-	<b>F</b>	-	<b>2-G34f</b>	-	<b>G34f</b>	-	<b>G2m</b>
	Suction lance		For installation on a barrel		Material Aluminium (pipe hot-dip galvanized)		FKM seals		2x Connection for bypass BSP G3/4" female		Connection for Adsorber BSP G3/4" female		Connection for system BSP G2" male

Total weight (kg): 2.220

NAME:

**Suction lance**

**SAL-BAR\_AL\_F\_2-G34f\_G34f\_G2m**

Article no.:

**03.0000.15**

Status approved

Ratio 1:5

Format A4

Sheet / of 1 / 1



**GIEBEL Adsorber®**  
 ...setting standards in aeration drying!

GIEBEL FilTec GmbH  
 www.giebel-adsorber.com  
 info@gf-dry.com