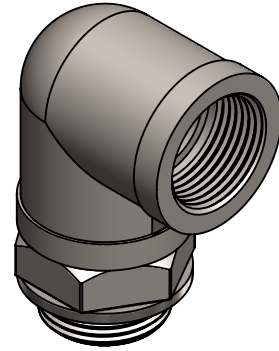
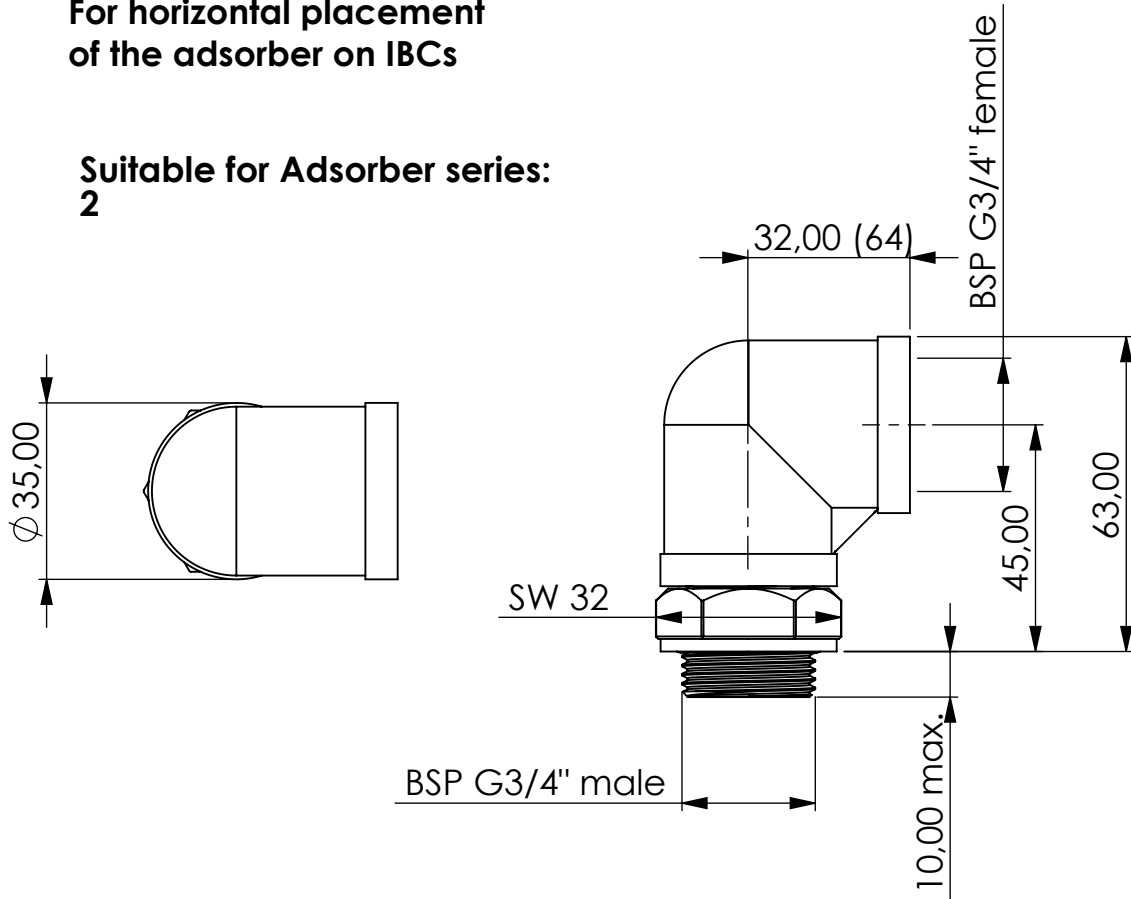


# Mounting Adapter



For horizontal placement  
of the adsorber on IBCs

Suitable for Adsorber series:  
2



Product Code	<b>MOA</b>	-	<b>W</b>	-	<b>SS</b>	-	<b>N</b>	-	<b>G34f</b>	-	<b>G34m</b>
	Mount Adapter		For horizontal adsorber installation		Material stainless steel		NBR seals		Connection for Adsorber BSP G3/4" female		Connection for system BSP G3/4" male

Total weight (kg): 0.34

NAME:

**Mounting Adapter**  
MOA-W\_SS\_N\_G34f\_G34m

Article no.:  
**03.0001.03**

Status  
approved

Format  
A4

Ratio  
1:1.5

Sheet / of  
1 / 1



**GIEBEL Adsorber®**  
...setting standards in aeration drying!

GIEBEL FilTec GmbH  
www.giebel-adsorber.de  
info@giebel-adsorber.de