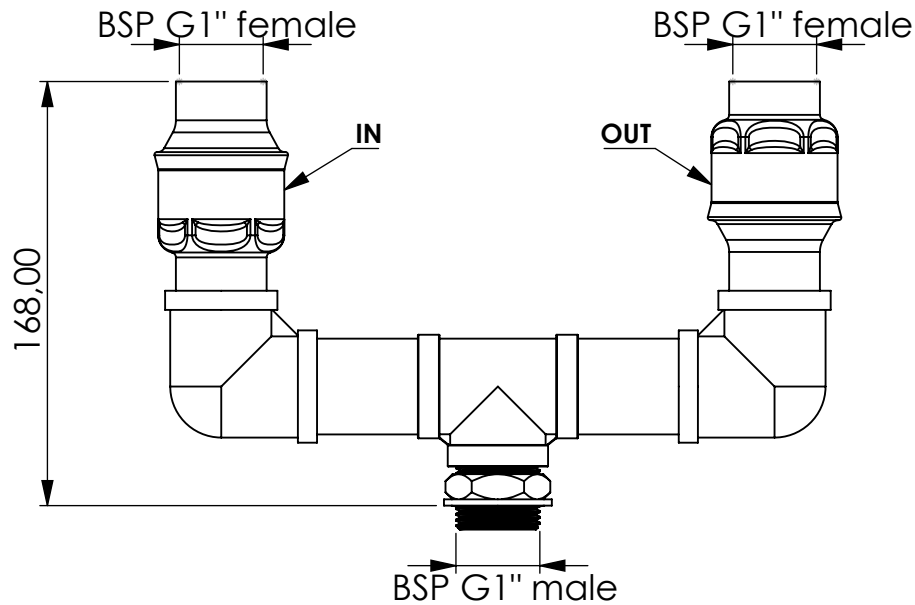
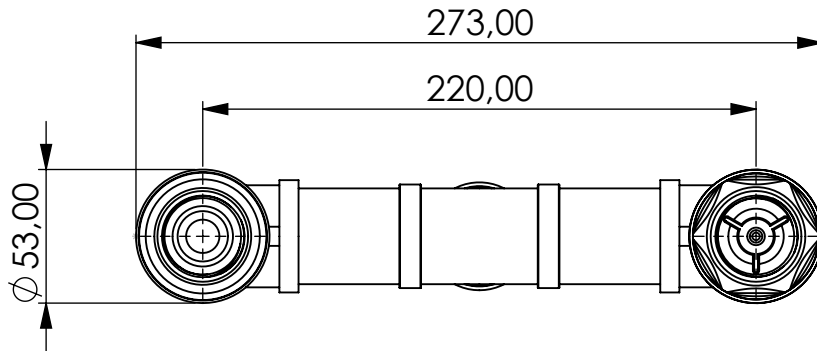
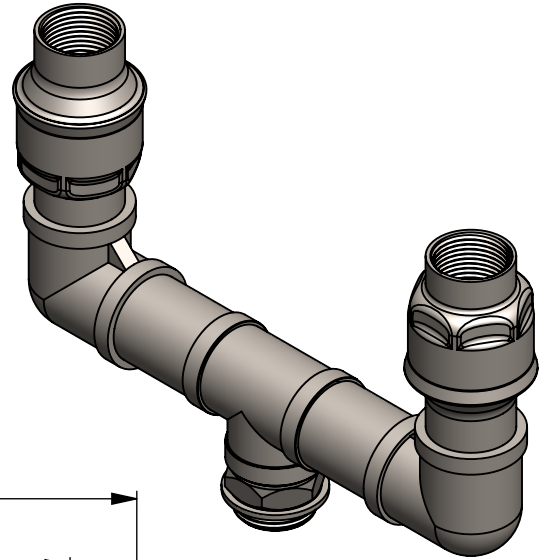


Mounting Adapter



Product Code	MOA	-	2V11	-	SS	-	F	-	G1i	-	G1a
	Mount Adapter		For double adsorber installation with valves		Material stainless steel		FKM seal		Connection for Adsorber BSP G1" female		Connection for system BSP G1" male

Total weight (kg): 2.50

NAME:

Mounting Adapter

MOA-2V11_SS_F_G1f_G1m

Article no.:

03.0001.07

Status approved

Ratio 1:3

Format A4

Sheet / of 1 / 1

	Date	Name
rev.	28.03.2023	Daniel Zinic

GIEBEL FilTec GmbH
www.giebel-adsorber.de
info@giebel-adsorber.de



GIEBEL Adsorber®
 ...setting standards in aeration drying!