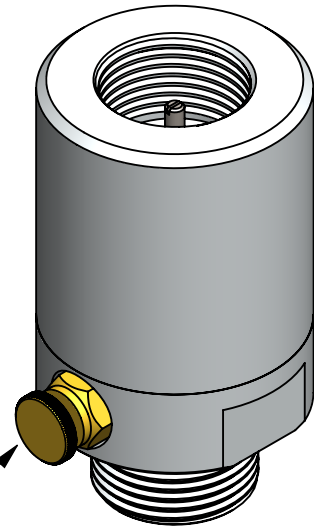
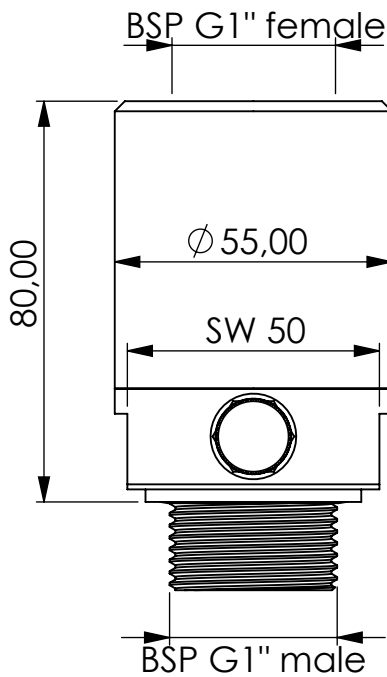


# VALVE ADAPTER 0,3bar



pressure release valve



## Opening directions



**Opening pressure (0,3bar)**  
(for tanks under pressure)



**pressureless (0,01bar)**  
(for aeration drying)

|              |               |  |                       |              |   |   |
|--------------|---------------|--|-----------------------|--------------|---|---|
| Product Code | <b>VAD</b>    | <b>03</b>                                      | <b>AL</b>             | <b>F</b>     | <b>G1f</b>                                      | <b>G1m</b>                                  |
|              | Valve Adapter | Opening pressure<br>0,3bar OUT<br>(0,01bar IN) | Aluminium<br>material | FKM<br>seals | Connection<br>for Adsorber<br>BSP G1"<br>female | Connection<br>for System<br>BSP G1"<br>male |

Weight / Gewicht (kg): 0.38

NAME:

**Valve Adapter**  
VAD\_03\_AL\_F\_G1f\_G1m

Article no.:  
**03.0003.03**

|                    |                      |
|--------------------|----------------------|
| Status<br>freigabe | Format<br>A4         |
| Maßstab<br>1:1.5   | Blatt / von<br>1 / 1 |

|                 |              |
|-----------------|--------------|
| Date            | Name         |
| rev. 09.03.2023 | Daniel Zinic |

GIEBEL FilTec GmbH  
www.giebel-adsorber.de  
info@giebel-adsorber.de



**GIEBEL Adsorber®**  
...setting standards in aeration drying!