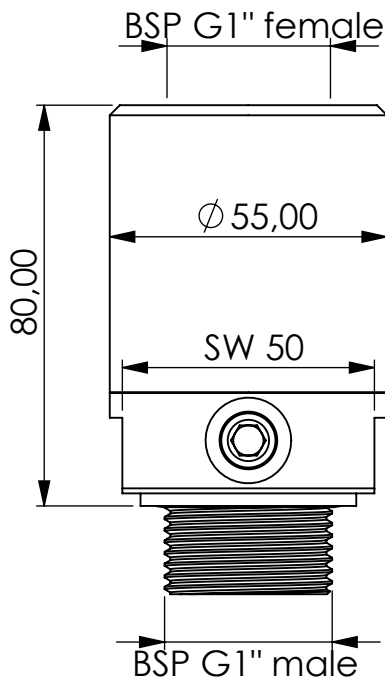
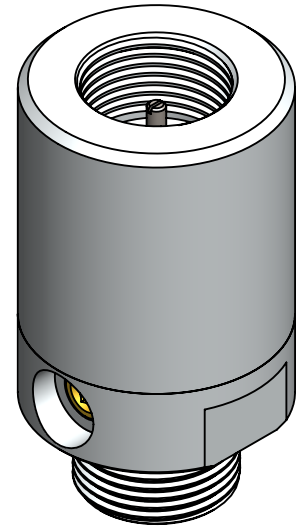


# VALVE ADAPTER 0,3bar



## Opening directions

↑  
**Opening pressure (0,03bar)**  
 (for tanks under pressure)

↓  
**pressureless (0,01bar)**  
 (for aeration drying)

Product Code	<b>VAD</b>	<b>003</b>	<b>AL</b>	<b>F</b>	<b>G1f</b>	<b>G1m</b>
	Valve Adapter	Opening pressure 0,03bar OUT (0,01bar IN)	Aluminium material	FKM seals	Connection for Adsorber BSP G1" female	Connection for System BSP G1" male

Weight / Gewicht (kg): 0.38

NAME:

**Valve Adapter**

VAD\_003\_AL\_F\_G1f\_G1m

Article no.:

**03.0003.04**

Status  
freigabe

Maßstab

1:1.5

Format  
A4

Blatt / von

1 / 1



**GIEBEL Adsorber®**  
 ...setting standards in aeration drying!

GIEBEL FilTec GmbH  
 www.giebel-adsorber.de  
 info@giebel-adsorber.de