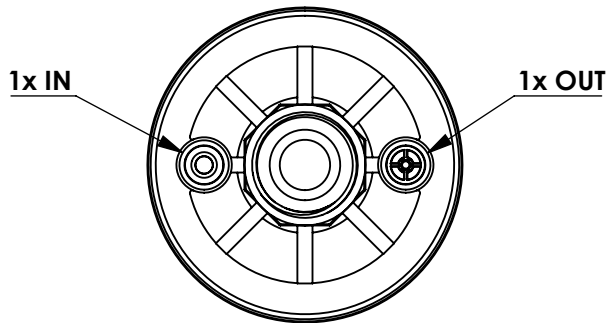
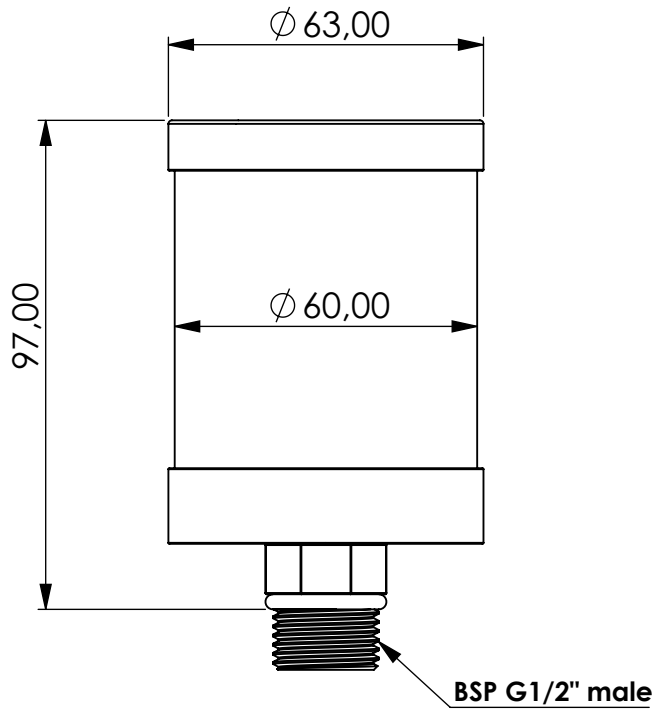


# Adsorber VV-DV series



Product Code	<b>VV</b>	-	<b>DV</b>	-	<b>1M</b>	-	<b>F</b>	-	<b>11</b>	-	<b>V2</b>	-	<b>X</b>	-	<b>G12m</b>
	Adsorber type		Disposable cartridge + valves		Size		FKM seals		Check valves 1 IN 1 OUT		Filter fleece 2 micron		Adsorbent GIEBEL Xdry®		Connection for System BSP G1/2" male

Housing materials:	PA6, PC, PVC	
GIEBEL Xdry® (kg):	0,08	Color-change capacity (ml): 28
Total weight (kg):	0.18	

NAME:		
<b>Adsorber VV-DV 1M G1/2"m</b>		
VV-DV_1M_F_11_V2_X_G12m		
Article no.:	Status freigabe	Format A4
<b>05.0010.43</b>	Maßstab 1:1.5	Blatt / von 1 / 1

 <b>GIEBEL Adsorber®</b> <small>...setting standards in aeration drying!</small>	rev.	Date	Name
		12.01.2023	Daniel Zinic
GIEBEL FilTec GmbH www.giebel-adsorber.de info@giebel-adsorber.de			