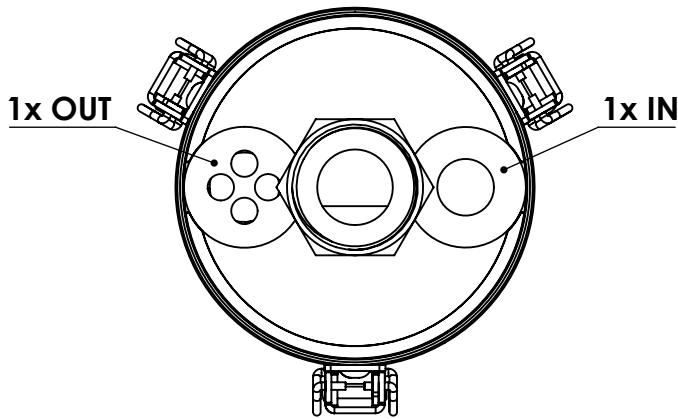
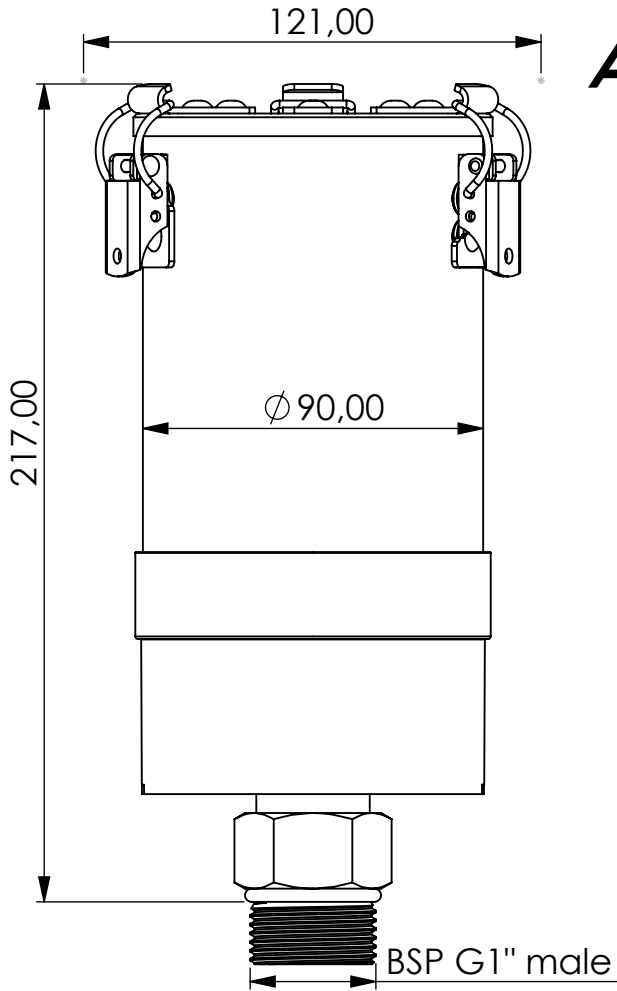


# Adsorber VV-RV series



Product Code	<b>VV</b>	-	<b>RV</b>	-	<b>2M</b>	-	<b>F</b>	-	<b>11</b>	-	<b>P3</b>	-	<b>XC</b>	-	<b>G1m</b>
Adsorber type	Refillable cartridge + valves		Size	FKM seals	Check valves 1 IN 1 OUT	Paper filter 3 micron	Adsorbent GIEBEL Xdry® & carbon	Connection for System BSP G1" male							

Housing materials:	PA6, PC, AL	
GIEBEL Xdry® (kg):	0,3	Color-change capacity (ml): 105
Total weight (kg):	1.04	

NAME:		
<b>Adsorber VV-RV 2M G1"m</b>		
VV-RV_2M_F_11_P3_XC_G1m		
Article no.:	Status freigabe	Format A4
<b>05.0020.94</b>	Maßstab	Blatt / von
	1:2	1 / 1

	Date	Name
rev.	19.04.2023	Daniel Zinic
 <b>GIEBEL Adsorber®</b> ...setting standards in aeration drying!		
GIEBEL FilTec GmbH <a href="http://www.giebel-adsorber.de">www.giebel-adsorber.de</a> <a href="mailto:info@giebel-adsorber.de">info@giebel-adsorber.de</a>		