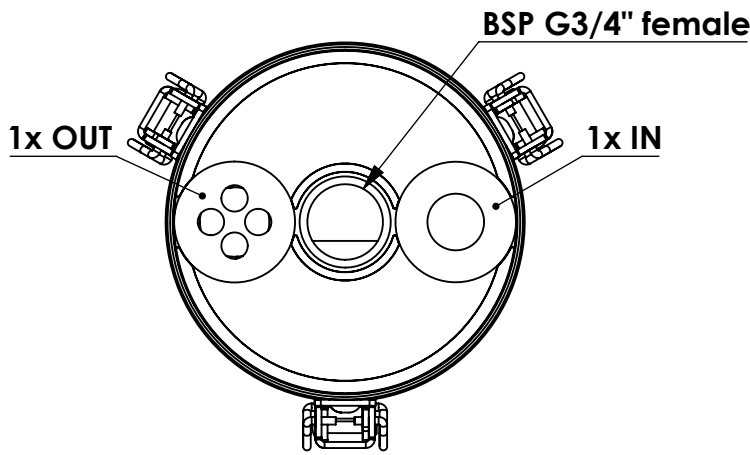
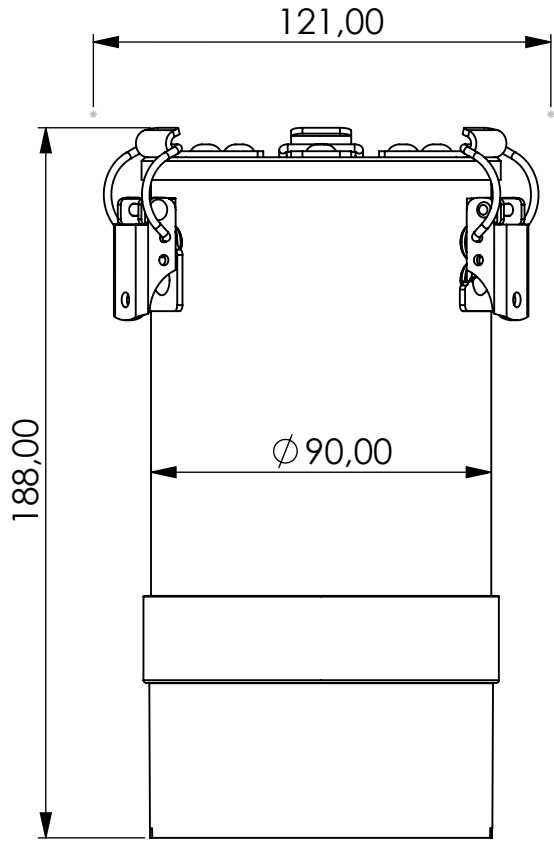


# Adsorber VV-RV series



|              |               |   |                               |   |      |   |           |   |                               |   |                          |   |                                       |   |   |
|--------------|---------------|---|-------------------------------|---|------|---|-----------|---|-------------------------------|---|--------------------------|---|---------------------------------------|---|---|
| Product Code | VV            | - | RV                            | - | 2M   | - | F         | - | 11                            | - | P3                       | - | XC                                    | - | G34f                                      |
|              | Adsorber type |   | Refillable cartridge + valves |   | Size |   | FKM seals |   | Check valves<br>1 IN<br>1 OUT |   | Paper filter<br>3 micron |   | Adsorbent<br>GIEBEL Xdry®<br>& carbon |   | Connection for System<br>BSP G3/4" female |

|                    |             |                                 |
|--------------------|-------------|---------------------------------|
| Housing materials: | PA6, PC, AL |                                 |
| GIEBEL Xdry® (kg): | 0,3         | Color-change capacity (ml): 105 |
| Total weight (kg): | 0.95        |                                 |

|       |                                 |  |
|-------|---------------------------------|--|
| NAME: | <b>Adsorber VV-RV 2M G3/4"f</b> |  |
|       | VV-RV_2M_F_11_P3_XC_G34f        |  |

|  |      |            |              |
|--|------|------------|--------------|
|  <b>GIEBEL Adsorber®</b><br><small>...setting standards in aeration drying!</small> | rev. | Date       | Name         |
|  |      | 18.04.2023 | Daniel Zinic |
| GIEBEL FilTec GmbH<br><a href="http://www.giebel-adsorber.de">www.giebel-adsorber.de</a><br><a href="mailto:info@giebel-adsorber.de">info@giebel-adsorber.de</a>       |      |            |              |

|                   |          |             |
|-------------------|----------|-------------|
| Article no.:      | Status   | Format      |
| <b>05.0020.97</b> | freigabe | A4          |
|                   | Maßstab  | Blatt / von |
|                   | 1:2      | 1 / 1       |