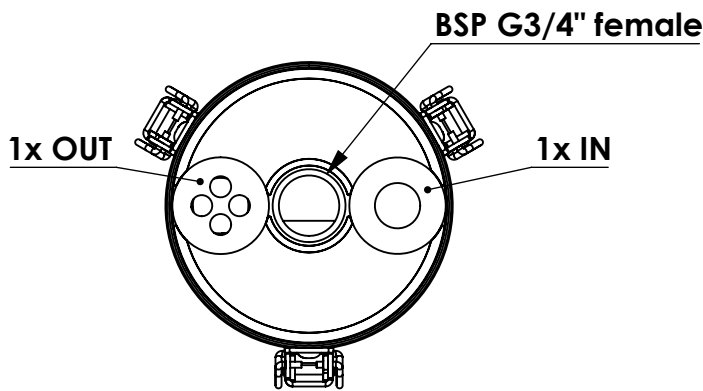
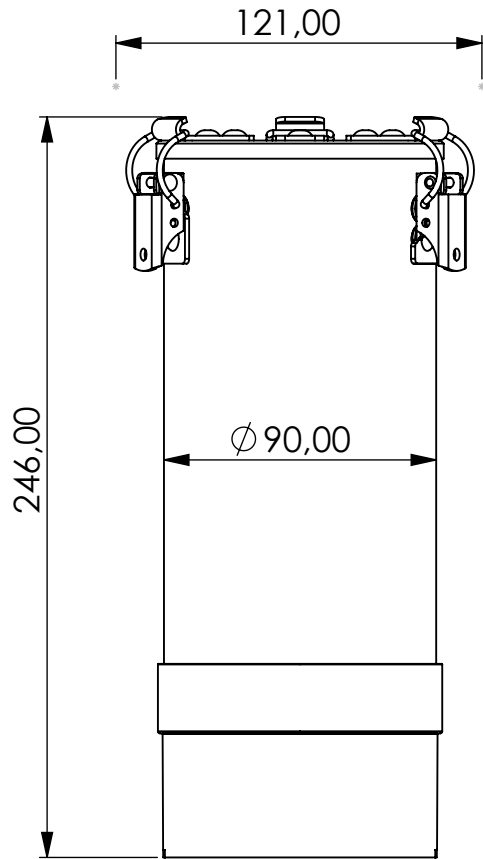


Adsorber VV-RV series



Product Code	VV	-	RV	-	2L	-	F	-	11	-	P3	-	XC	-	G34f
	Adsorber type		Refillable cartridge + valves		Size		FKM seals		Check valves 1 IN 1 OUT		Paper filter 3 micron		Adsorbent GIEBEL Xdry® & carbon		Connection for System BSP G3/4" female

Housing materials:	PA6, PC, AL	
GIEBEL Xdry® (kg):	0,5	Color-change capacity (ml): 175
Total weight (kg):	1.25	

NAME:	Adsorber VV-RV 2L G3/4"f	
	VV-RV_2L_F_11_P3_XC_G34f	



GIEBEL FilTec GmbH
www.giebel-adsorber.de
info@giebel-adsorber.de

Article no.:	05.0021.02	Status freigabe	Format A4
		Maßstab	Blatt / von
		1:2.5	1 / 1