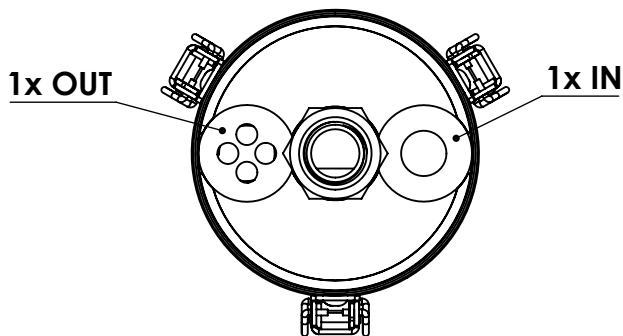
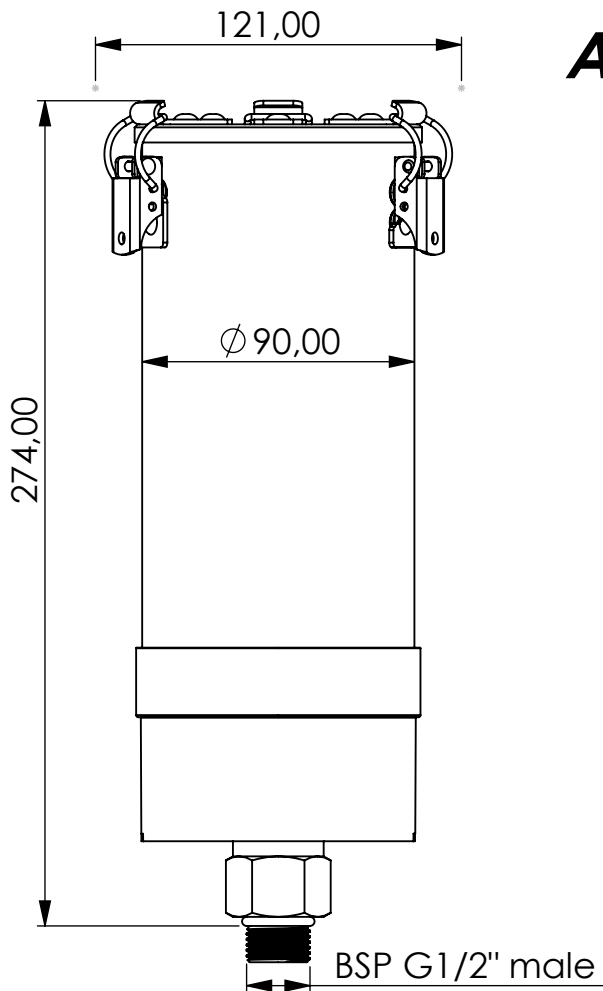


# Adsorber VV-RV series



Product Code	<b>VV</b>	-	<b>RV</b>	-	<b>2L</b>	-	<b>F</b>	-	<b>11</b>	-	<b>P3</b>	-	<b>XC</b>	-	<b>G12m</b>
Adsorber type			Refillable cartridge + valves		Size		FKM seals		Check valves 1 IN 1 OUT		Paper filter 3 micron		Adsorbent GIEBEL Xdry® & carbon		Connection for System BSP G1/2" male

Housing materials: PA6, PC, AL

GIEBEL Xdry® (kg): 0,5      Color-change capacity (ml): 175

Total weight (kg): 1.31

NAME:

**Adsorber VV-RV 2L G1/2"m**  
VV-RV\_2L\_F\_11\_P3\_XC\_G12m

Article no.:  
**05.0021.04**

Status freigabe	Format A4
Maßstab 1:2.5	Blatt / von 1 / 1

	Date	Name
rev.	19.04.2023	Daniel Zinic



**GIEBEL Adsorber®**  
...setting standards in aeration drying!

GIEBEL FilTec GmbH  
www.giebel-adsorber.de  
info@giebel-adsorber.de