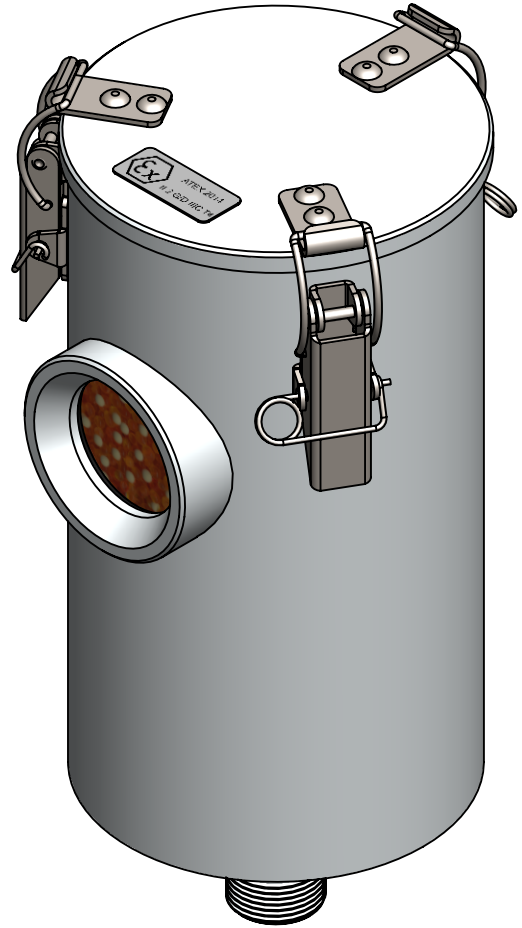
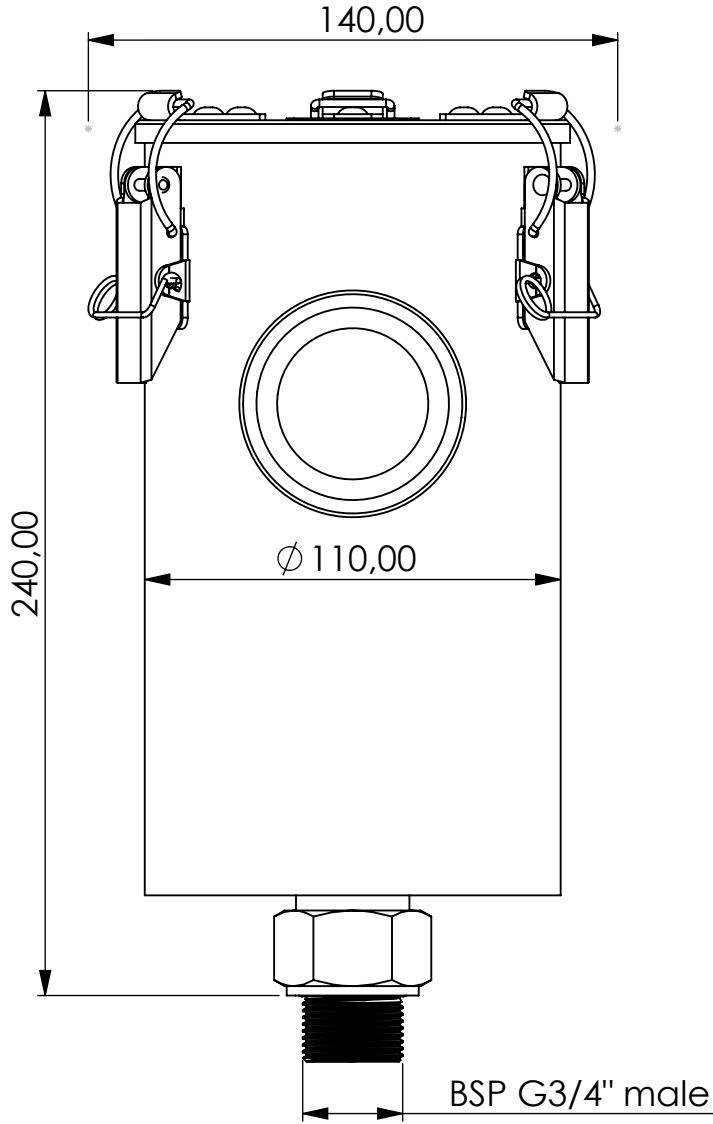


Adsorber MA-R series



Product Code	MA	-	R	-	3M	-	E	-	00	-	P3	-	XC	-	G34m
	Adsorber type		Refillable cartridge		Size		EPDM seals		No valves		Paper filter 3 micron		Adsorbent GIEBEL Xdry® & carbon		Connection for System BSP G3/4" male

Housing materials:	Aluminium	
GIEBEL Xdry® (kg):	0,85	Color-change capacity (ml): 298
Total weight (kg):	2.11	

NAME:
Adsorber MA-R 3M EPDM G3/4"m
MA-R_3M_E_00_P3_XC_G34m

 GIEBEL Adsorber® ...setting standards in aeration drying!	rev.	Date	Name
		22.05.2024	Daniel Zinic
GIEBEL FilTec GmbH www.giebel-adsorber.com info@gf-dry.com			

Article no.:	Status freigabe	Format
05.0030.92	Maßstab	A4
	1:2	Blatt / von
		1 / 1