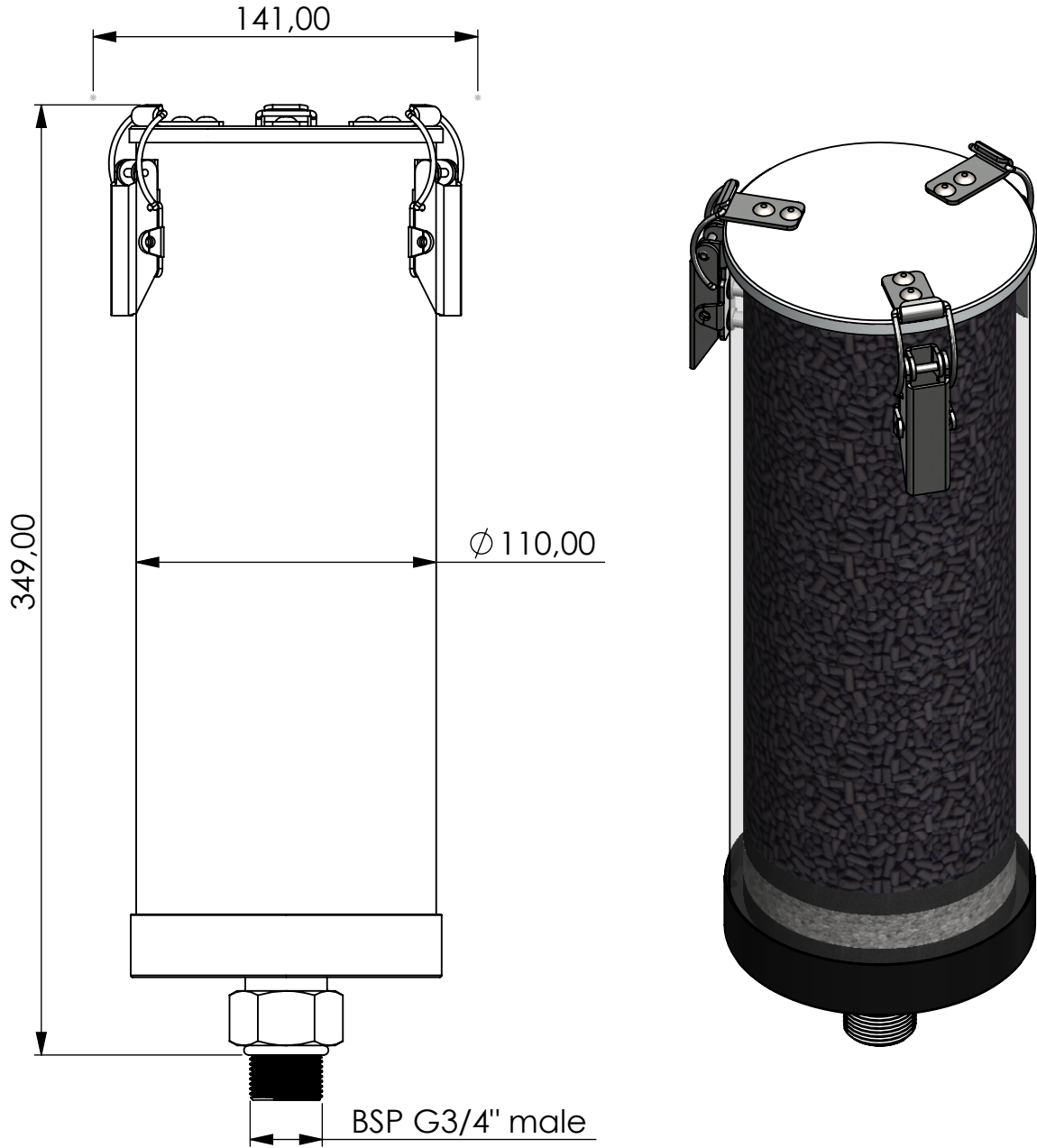


Adsorber VG-R series



Product Code	VG	-	R	-	3L	-	F	-	00	-	P3	-	A	-	G34m
	Adsorber type		Refillable cartridge		Size		FKM seals		No valves 0 IN 0 OUT		Paper filter 3 micron		Adsorbent active carbon		Connection for System BSP G3/4" male

Housing materials: PA6, PC, AL

Active carbon (kg): 0,9

Total weight (kg): 2.06

NAME:

Adsorber VG-R 3L G3/4"m
VG-R_3L_F_00_P3_A_G34m

Article no.:
05.0040.19

Status approved

Format A4

Ratio 1:2.5

Sheet / of 1 / 1

	Date	Name
rev.	16.01.2023	Daniel Zinic

GIEBEL FilTec GmbH
www.giebel-adsorber.de
info@giebel-adsorber.de



GIEBEL Adsorber®
...setting standards in aeration drying!