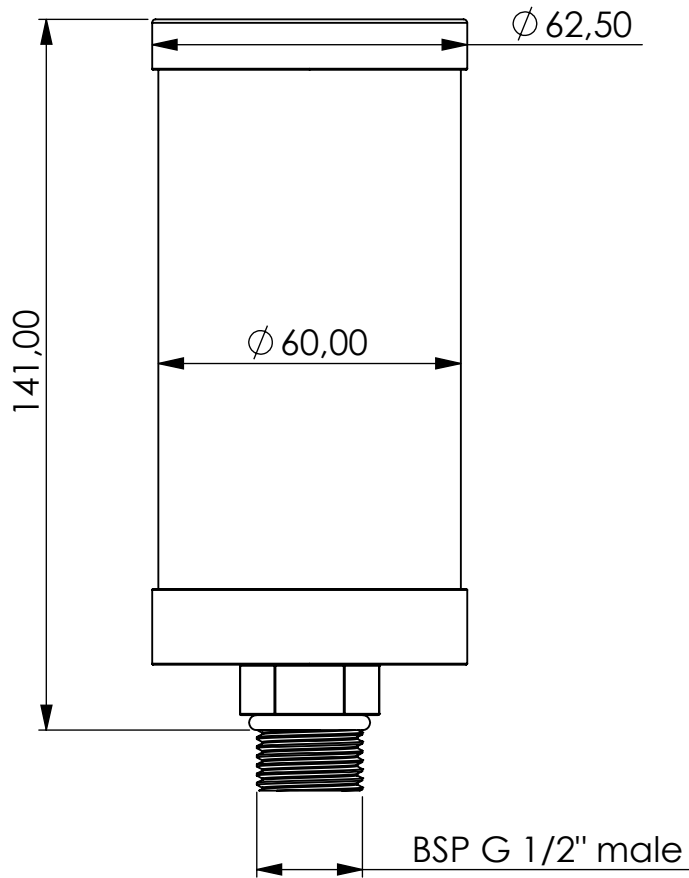


Adsorber VG series



Product Code	VG	-	1L	-	R	-	F	-	00	-	V2	-	A	-	G12a
	Adsorber type		Size		Refillable cartridge		FKM seals		No valves 0 IN 0 OUT		Filter fleece 2 micron		Adsorbent active carbon		Connection for System BSP G1/2" male

Housing materials:	PA6, PC, PVC
Active carbon (kg):	0,1
Total weight (kg):	0.23
NAME:	
Adsorber VG 1L-R G1/2"m	
VG_1L-R_F_00_V2_A_G12a	
Article no.:	Status
05.0040.20	freigabe
	Format
	A4
	Maßstab
	Blatt / von
	1:1.5
	1 / 1

 GIEBEL Adsorber® ...setting standards in aeration drying!	Date	Name
	rev. 26.03.2020	Daniel Zinic
GIEBEL FilTec GmbH www.giebel-adsorber.de info@giebel-adsorber.de		